

## WWG880 WCS PWash&TDos&Steam

W1 front-loader washing machine:

A -20 % | 9 kg | 1400 rpm | SteamCare | Automatic dispensing | QuickPowerWash



- Tested for 20 years of perfect laundry care\*
- Save even more energy with A -20 %\*\*
- SteamCare reduces ironing time by up to 50 % and freshens up your clothes
- Precise and automatic detergent dispensing with TwinDos@\*\*\*\*
- QuickPowerWash ensures fast, efficient results in just 49 minutes\*\*\*\*

\* During the development phase of the W1 washing machine series, Miele tested models and core components in 5000 wash loads (= 5 wash loads per week for 50 weeks per year) in various programmes. More: [miele.com/20years](http://miele.com/20years)

\*\* 20 % more economical than the threshold value (52) for energy efficiency class A.

\*\*\* For exclusive use with Miele UltraPhase detergent.

\*\*\*\* This applies to all Miele washing machines that enable the process and machine-related parameters presented in the summary of the WL 1110/18 test report to be implemented.



EAN: 4002516865650 / Material number: 12721230 /

Old Material Number: 11WG8801GB

<b>Construction type</b>	
Side-by-side	•
Slot-in	•
Door hinge	right
<b>Spinning</b>	
Max. spin speed	1400
<b>Design</b>	
Appliance colour	Lotus white
Control panel colour	Lotus white
Rotary selector colour	Lotus White / Chrome ring
Display	DirectSensor white, 7 segment
<b>Gentle laundry care</b>	
Load in kg	9.0
<b>User convenience</b>	
Networking with Miele@home	•
<b>Efficiency and sustainability</b>	
Energy efficiency class (A–G)	A
More economical than the threshold value (52) for energy efficiency class A	20%
Weighted energy consumption per 100 operating cycles for the wash cycle in kWh	40
Weighted water consumption per cycle in l	50
Spin efficiency class (A–G)	B
Acoustic airborne noise emission class (spin cycle; A–D)	A
Sound emissions during spin cycle in dB(A) re 1 pW	72
Duration of the “ECO 40–60” programme at nominal capacity	229
Power rating in off mode in W	0.40
Power rating in networked standby in W	0.80
<b>Wash programmes</b>	
QuickPowerWash	•
Cottons (coloureds)	•
Cottons with pre-wash	•
Minimum iron	•
Delicates	•
Shirts	•
Woollens (hand-washable)	•
Express 20	•
Freshen up (steam)	•
Drain / Spin	•
ECO 40-60	•
<b>Safety</b>	
Water protection system	Watercontrol-System
<b>Technical data</b>	
Dimensions in mm (width)	596
Dimensions in mm (height)	850
Dimensions in mm (depth)	643
Appliance depth in mm with opened door	1077

WWG880 WCS PWash&TDos&Steam

W1 front-loader washing machine:

A -20 % | 9 kg | 1400 rpm | SteamCare | Automatic dispensing | QuickPowerWash



EAN: 4002516865650 / Material number: 12721230 /

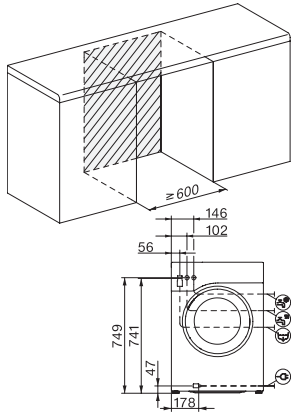
Old Material Number: 11WG8801GB

Weight in kg	80
Total rated load in kW	2.10-2.40
Voltage in V	220-240
Fuse rating in A	13
Frequency in Hz	50
Length of supply lead in m	2
<b>Accessories included</b>	
UltraPhase 1 + 2	•
Voucher for 5 Miele UltraPhase cartridges	•

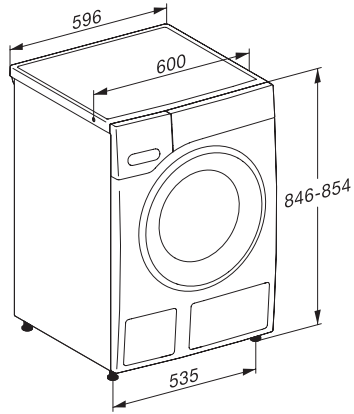
WWG880 WCS PWash&TDos&Steam

W1 front-loader washing machine:

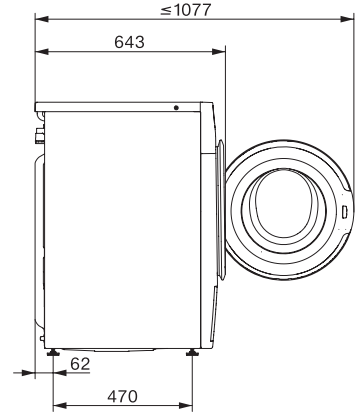
A -20 % | 9 kg | 1400 rpm | SteamCare | Automatic dispensing | QuickPowerWash



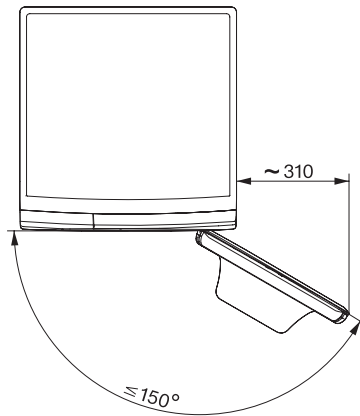
W1 drawing, facia 5 degree, measures in mm



W1 drawing, facia 5 degree, measures in mm



W1 drawing, facia 5 degree, measures in mm



W1 drawing, facia 5 degree, measures in mm