

## KWTUS 7074 F

Built-under wine conditioning unit  
with separate temperature zones, FlexiFrame and ActiveHumidity in a compact



- Perfect drinking and storage temperatures thanks to separate temperature zones
- Storage of all bottle sizes/shapes thanks to FlexiFrame
- Perfect regulation of humidity with ActiveHumidity
- Writing on the wooden shelves on the NoteBoard
- UV-resistant insulated glass

EAN: 4002516779360 / Material number: 12519510 /  
Old Material Number: 39707410EU1

<b>Appliance category</b>	
Wine conditioning unit	•
<b>Construction type</b>	
Built-in appliance	•
Integrated appliance	•
Undercounter appliance	•
Door hinge	right
Convertible door hinging	•
Side-by-side enabled	•
<b>Design</b>	
Casing colour	black
Front colour	Obsidian Black glass
Wine compartment lighting	continuously dimmable LED
<b>User convenience</b>	
Networking with Miele@home	•
Active AirClean filter	•
DynaCool	•
ActiveHumidity	•
Concealed door opener	FrontOpen
Total number of shelves	5
Number of shelves	4
Shelf material	Beechwood
Number of FlexiFrame racks	3
Number of shelves for crosswise storage	1
SelfClose FlexiFrame	•
NoteBoard	Yes
Low-vibration storage	•
<b>Control system</b>	
Operating concept	FreshTouch
Independent temperature regulation of fridge and freezer zones	No
No. of temperature zones	2
Min. temperature setting range in °C	5
Max. temperature setting range in °C	20
Sabbath mode	•
<b>Fridge/Fridge section</b>	
Dry back wall	grey
<b>Efficiency and sustainability</b>	
Energy efficiency class (A–G)	F
Annual energy consumption in kWh	104,00
Energy consumption in 24 h in kWh	0,28
<b>Safety</b>	
Lock function	•
Acoustic door alarm	•
Acoustic temperature alarm	•
Optical door alarm	•
Optical temperature alarm	•

## KWTUS 7074 F

Built-under wine conditioning unit  
with separate temperature zones, FlexiFrame and ActiveHumidity in a compact



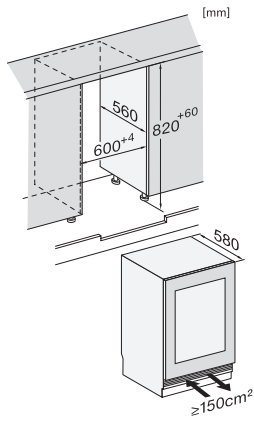
EAN: 4002516779360 / Material number: 12519510 /  
Old Material Number: 39707410EU1

Technical data	
Niche width in mm min.	600
Niche width in mm max.	600
Niche height in mm min.	820
Niche height in mm max.	880
Niche depth in mm	580
Appliance width in mm	597
Appliance height in mm	819
Appliance depth in mm	563
Weight in kg	44,0
Climate class	SN-ST
Refrigerator compartment in l	92
Total usable capacity in l	92
0.75 l Bordeaux bottle capacity (no. of bottles)	32 bottles
Acoustic airborne noise emission class (A-D)	B
Sound emissions in dB(A) re 1 pW	34
Current consumption (mA)	1500
Voltage in V	220-240
Fuse rating in A	10
Number of phases	1
Frequency in Hz	50-60
Length of supply lead in m	2,2
Accessories included	
White chalk pen	•

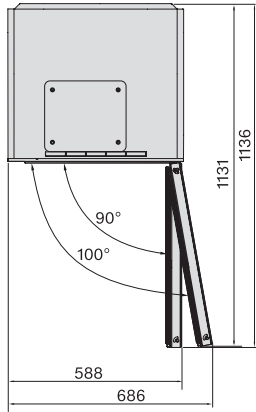
## KWTUS 7074 F

Built-under wine conditioning unit

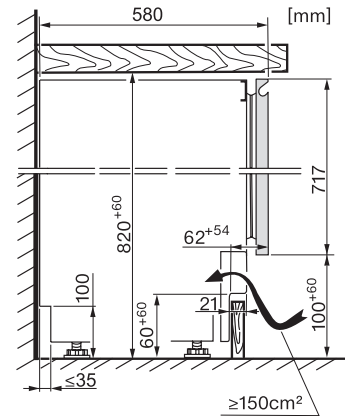
with separate temperature zones, FlexiFrame and ActiveHumidity in a compact



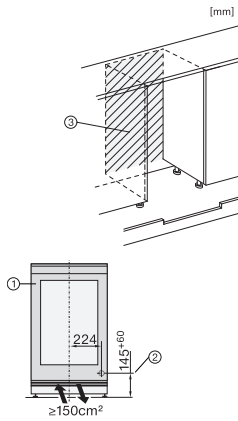
KWTUS7054F, KWTUS7055F, KWTUS7074F, KWTUS7096E, Built-under, Einbauskizze, Nischenmaß (installation drawings)



KWTUS7054F, KWTUS7055F, KWTUS7074F, Built-under, top view (installation drawings)



KWTUS7054F, KWTUS7055F, KWTUS7074F, Built-under, side view (installation drawings)



KWTUS7054F, KWTUS7055F, KWTUS7074F, KWTUS7096E, KWTUS7196E, Built-under, side view (\*footnote) (installation drawings)

\*1. View from the front, 2. Mains connection cable, L = 2200 mm, 3. No connection in this area