

KWT 6833 SG

Freestanding wine conditioning unit
with extra versatility and style, thanks to FlexiFrame and Miele Noteboard.



- Simultaneous wine storage in separate temperature zones
- Odourless refrigeration section thanks to Active AirClean filters
- Present your wine in the perfect light - LED lighting
- Optimum wine protection through UV filters in tinted glass front
- Secure storage of wine bottles with pull-out racks

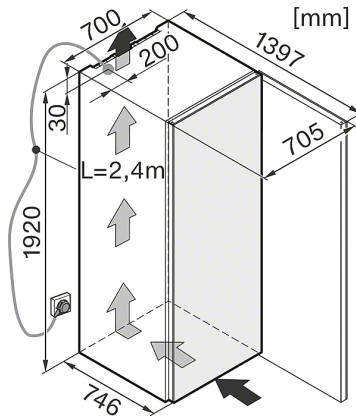
A

EAN: 4002515716663 / article number: 36683300EU1 / material number: 10409080

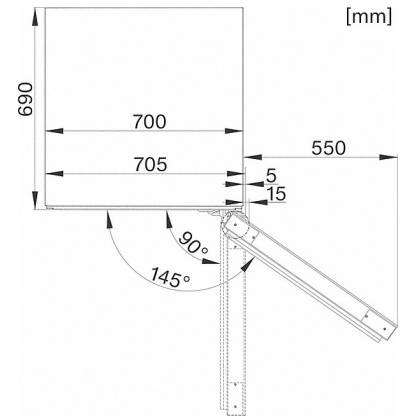
Appliance category	
Wine conditioning unit	•
Construction type	
Freestanding appliance	•
Door hinge	right
Convertible door hinging	•
Design	
Casing colour	Stainless Steel
Front colour	Tinted glass door/hand grip
Refrigeration section lighting	LED
User convenience	
DynaCool	•
SoftClose	•
No. of wooden racks	10
Number of FlexiFrame wooden racks	10
Bottle presenter	•
Controls	
Operating concept	TouchControl
No. of temperature zones	3
Efficiency and sustainability	
Energy efficiency class (A+++ – D)	A
Annual energy consumption in kWh	180
Energy consumption in 24 h in kWh	0,493
Appliance networking	
Miele@home	•
WiFiConn@ct	•
Accessories required	XKM 3100 W XKM 3000 Z
MobileControl	•
Safety	
Lock function	•
Acoustic door alarm	•
Acoustic temperature alarm	•
Optical door alarm	•
Optical temperature alarm	•
Technical data	
Appliance width in mm	700
Appliance height in mm	1.920
Appliance depth in mm	746
Weight in kg	145,0
Climate class	SN-ST
Wine conditioning zone in l	502
Total usable capacity in l	502
0.75 l Bordeaux bottle capacity (no. of bottles)	178 bottles
Sound power in dB(A) re1pW	38
Current consumption (mA)	1.500
Voltage in V	220-240
Fuse rating in A	10
Frequency in Hz	50
Length of supply lead in m	2,8

KWT 6833 SG

Freestanding wine conditioning unit
with extra versatility and style, thanks to FlexiFrame and Miele Noteboard.



KWT6831SG, KWT6832SGS (Installation drawings)



KWT6831SG, KWT6832SGS, KWT6833SG, KWT6834SGS
(Installation drawings)