

KWT 6321 UG

Built-under wine conditioning unit

Active charcoal filter & Dynamic cooling for best storage conditions in 2 zones.



- Best storage conditions thanks to precise temperature regulation
- Odourless refrigeration section thanks to Active AirClean filters
- Present your wine in the perfect light - LED lighting
- Optimum wine protection through UV filters in tinted glass front
- Secure storage of wine bottles with pull-out racks

B

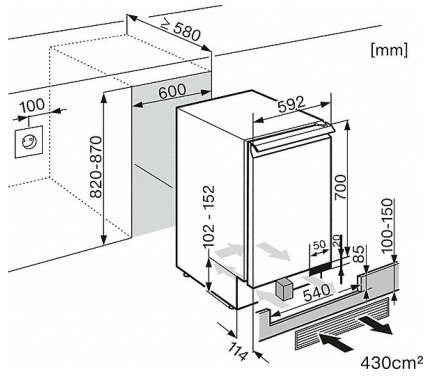
EAN: 4002515397282 / article number: 36632100EU1 / material number: 09764980

Appliance category	
Wine conditioning unit	•
Construction type	
Built-in appliance	•
Integrated appliance	•
Undercounter appliance	•
Door hinge	right
Convertible door hinging	•
Design	
Front colour	Glass door/handle
Refrigeration section lighting	LED
User convenience	
DynaCool	•
Active AirClean filter	•
No. of wooden racks	3
Low-vibration storage	•
Controls	
Operating concept	TouchControl
No. of temperature zones	2
Efficiency and sustainability	
Energy efficiency class (A+++ – D)	B
Annual energy consumption in kWh	195
Energy consumption in 24 h in kWh	0,532
Safety	
Lock function	•
Acoustic door alarm	•
Acoustic temperature alarm	•
Technical data	
Niche width in mm	600
Niche height in mm	820
Niche depth in mm	580
Appliance width in mm	597
Appliance height in mm	819
Appliance depth in mm	575
Weight in kg	47,0
Climate class	N
Wine conditioning zone in l	94
Total usable capacity in l	94
0.75 l Bordeaux bottle capacity (no. of bottles)	34 bottles
Sound power in dB(A) re1pW	38
Current consumption (mA)	800
Voltage in V	220-240
Fuse rating in A	10
Number of phases	1
Frequency in Hz	50
Length of supply lead in m	2,0

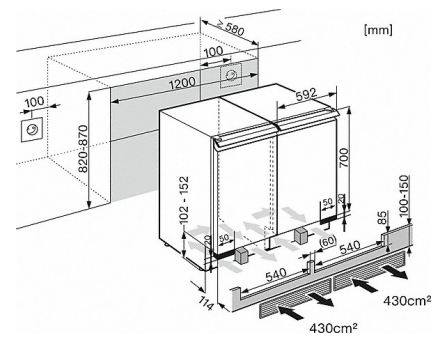
KWT 6321 UG

Built-under wine conditioning unit

Active charcoal filter & Dynamic cooling for best storage conditions in 2 zones.



KWT6321UG (installatin drawing)



KWT6321UG, Side by Side (installation drawing)