

K 7743 E

Built-in refrigerator

PerfectFresh Pro and DynaCool for professional storage.



- Professional storage – fresher for longer with PerfectFresh Pro
- Optimum and maintenance-free LED lighting in compartment
- Uniform temperature distribution inside the appliance – DynaCool
- No visible build-up of condensation thanks to dry back wall
- Dishwasher-proof door shelves – ComfortClean



EAN: 4002516474852 / Material number: 11904530 / Old Material Number: 36774300GB

Appliance category	
Refrigerator	•
Construction type	
Built-in appliance	•
Integrated appliance	•
Door hinge	right
Convertible door hinging	•
Design	
Refrigeration section lighting	LED
User convenience	
Networking with Miele@home	•
Freshness system	PerfectFresh Pro
ComfortClean	•
DynaCool	•
ComfortSize	•
SoftClose, can be retrofitted	•
Controls	
Operating concept	SensorTouch
Fridge compartment can be switched off	No
Independent temperature regulation of fridge and freezer zones	No
Automatic SuperCool	•
No. of temperature zones	2
Sabbath mode	•
Party mode	•
Holiday mode	•
Fridge/Fridge section	
No. of shelves	6
Chrome-plated metal bottle rack	•
No. of crisper drawers	3
Dry back wall	Plastic
Number of inner door racks for tinned food	2
Door rack for bottles	2
Door shelves	4
Efficiency and sustainability	
Energy efficiency class (A–G)	E
Annual energy consumption in kWh	155.80
Energy consumption in 24 h in kWh	0.42
Safety	
Lock function	•
Acoustic door alarm	•
Optical door alarm	•
Technical data	
Niche width in mm min.	560
Niche width in mm max.	570
Niche height in mm min.	1772
Niche height in mm max.	1788
Niche depth in mm	550
Appliance width in mm	559
Appliance height in mm	1770

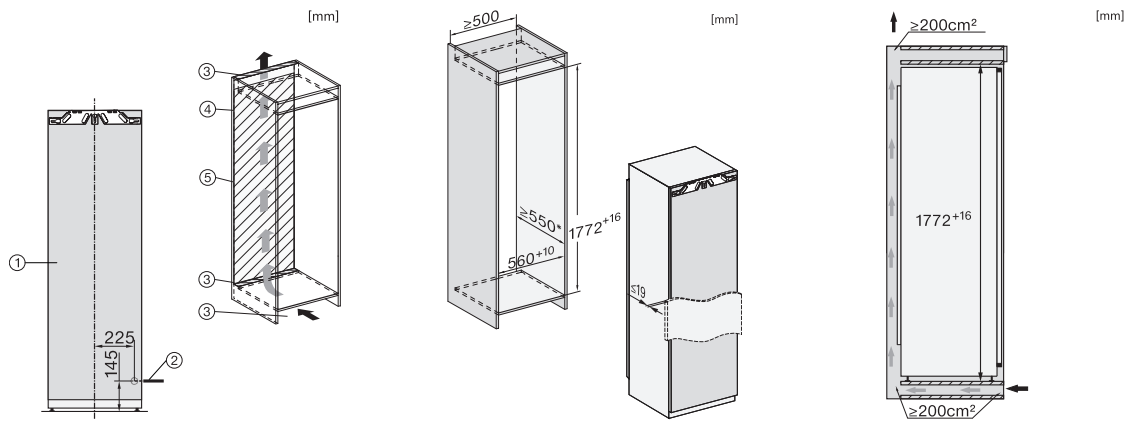
K 7743 E
 Built-in refrigerator
 PerfectFresh Pro and DynaCool for professional storage.



EAN: 4002516474852 / Material number: 11904530 / Old Material Number: 36774300GB

Appliance depth in mm	546
Weight in kg	59.3
Door hinge technology	Fixed door
Max. door front weight – refrigerator, in kg	26
Climate class	SN-T
Refrigerator compartment in l	294
including PerfectFresh zone in l	98
4* freezer compartment in l	0
Total usable capacity in l	294
Noise class (A–D)	C
Sound power in dB(A) re 1 pW	37
Current consumption (mA)	1200
Voltage in V	220-240
Fuse rating in A	13
Number of phases	1
Frequency in Hz	50
Length of supply lead in m	2.2
Replacing lamps	Customer Service
Accessories supplied	
Egg tray	•

K 7743 E
 Built-in refrigerator
 PerfectFresh Pro and DynaCool for professional storage.



K7733E, K7763E, K7732E, K7734F, K7764E, K7743E, 7744E, K7773D, K7774D (footnote*) (installation drawings)

*1. View from the front, 2. Mains connection cable, L = 2100 mm, 3. Ventilation cut-out min. 200 cm², 4. Ventilation, 5. No connections permitted in this area

K7733E, K7763E, K7732E, K7734F, K7764E, K7743E, K7744E, K7773D, K7774D, built-in (footnote*) (installation drawings)

*The declared energy consumption was calculated in a 560 mm deep niche. The appliance is fully functional in a 550 mm niche but the energy consumption will be slightly higher.

K7733E, K7763E, K7732E, K7734F, K7764E, K7743E, K7744E, K7773D, K7774D, side view (installation drawings)