

KF 2801 Vi

MasterCool fridge-freezer

For high-end design and technology on a large scale.



- Push2open for convenient door-opening assistance
- Food stays fresh for up to 3 x longer thanks to MasterFresh
- Light floods the interior thanks to LED elements – BrilliantLight
- Communication with the machine could not be easier – WiFi Conn@ct
- Convenient control thanks to colour touch display MasterSensor

**A++**

EAN: 4002516154662 / article number: 38280101EU1 / material number: 11188570

|  |                |
|--|----------------|
| <b>Appliance category</b>                |                |
| Fridge-freezer                           | •              |
| <b>Construction type</b>                 |                |
| Built-in appliance                       | •              |
| Integrated appliance                     | •              |
| Door hinge                               | right          |
| Convertible door hinging                 | •              |
| Side-by-side enabled                     | •              |
| <b>Design</b>                            |                |
| Lighting                                 | BrilliantLight |
| <b>User convenience</b>                  |                |
| Freshness system                         | MasterFresh    |
| DynaCool                                 | •              |
| NoFrost                                  | •              |
| DuplexCool Pro                           | •              |
| SelfClose                                | •              |
| IceMaker with mains water connection     | •              |
| Push2open                                | •              |
| FullAccess                               | •              |
| EasyClean                                | •              |
| MaxLoad hinge                            | •              |
| <b>Controls</b>                          |                |
| Operating concept                        | MasterSensor   |
| Automatic SuperCool                      | •              |
| No. of temperature zones                 | 3              |
| Sabbath mode                             | •              |
| <b>Fridge/Fridge section</b>             |                |
| Height-adjustable tempered glass shelves | 1              |
| No. of crisper drawers                   | 2              |
| SlidingShelf                             | •              |
| Door shelves for jars                    | 1              |
| Door rack for bottles                    | 2              |
| <b>Freezer/Freezer section</b>           |                |
| Number of freezer baskets                | 2              |
| <b>Efficiency and sustainability</b>     |                |
| Energy efficiency class (A+++ – D)       | A++            |
| Annual energy consumption in kWh         | 290            |
| Energy consumption in 24 h in kWh        | 0,795          |
| <b>Appliance networking</b>              |                |
| Miele@home                               | •              |
| WiFiConn@ct                              | •              |
| <b>Safety</b>                            |                |
| Lock function                            | •              |
| Spill guard                              | •              |
| Acoustic door alarm                      | •              |
| Acoustic temperature alarm               | •              |
| Optical door alarm                       | •              |
| Optical temperature alarm                | •              |

KF 2801 Vi

MasterCool fridge-freezer

For high-end design and technology on a large scale.

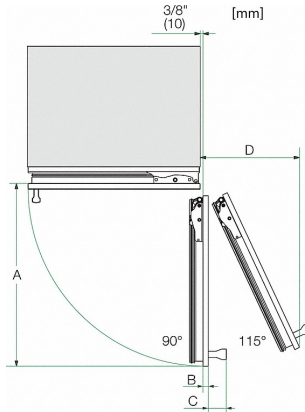


| Technical data                               |            |
|--|------------|
| Niche width in mm                            | 762        |
| Niche height in mm                           | 2.134      |
| Niche depth in mm                            | 629        |
| Appliance width in mm                        | 756        |
| Appliance height in mm                       | 2.127      |
| Appliance depth in mm                        | 629        |
| Weight in kg                                 | 181,0      |
| Door hinge technology                        | Fixed door |
| Max. door front weight – refrigerator, in kg | 45         |
| Max. door front weight – freezer, in kg      | 18         |
| Climate class                                | SN-T       |
| Refrigerator compartment in l                | 281        |
| 4* freezer compartment in l                  | 96         |
| PerfectFresh zone in l                       | 27         |
| Total usable capacity in l                   | 404        |
| Storage time in case of fault                | 17         |
| Freezer capacity in kg/24 h                  | 14,0       |
| Sound power in dB(A) re1pW                   | 42         |
| Current consumption (mA)                     | 3.000      |
| Voltage in V                                 | 220-240    |
| Fuse rating in A                             | 10         |
| Frequency in Hz                              | 50         |
| Length of supply lead in m                   | 3,0        |
| Standard accessories                         |            |
| Active AirClean filter                       | •          |

KF 2801 Vi

MasterCool fridge-freezer

For high-end design and technology on a large scale.



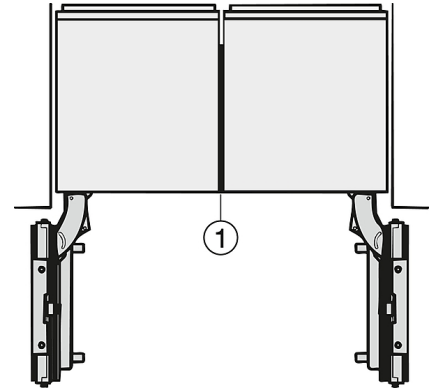
Opening angle 90°/115°, right side stop, MasterCool (Sketch) with footnote

A) Appliance door width  
 F 2461 Vi: 525 mm (20 2/3 inch);  
 K 2601 Vi, K 2601 SF, F 2661 Vi, KWT 2601 Vi, KWT 2601 SF, KWT 2661 ViS, KWT 2661 SFS: 677 mm (26 2/3 inch);  
 K 2801 Vi, K 2801 SF, F 2801 Vi, KF 2801 Vi, KF 2801 SF: 829 mm (32 2/3 inch);  
 K 2901 Vi, K 2901 SF, F 2901 Vi, KF 2901 Vi, KF 2901 SF: 982 mm (38 2/3 inch)

B) Furniture front (max. 38 mm) (1 1/2 inch)  
 C) Door handle

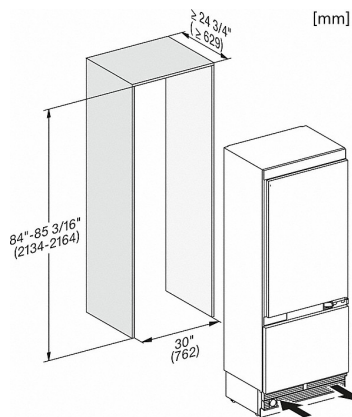
D) Distance door to wall (without furniture front and door handle): F 2461 Vi: 237 mm (9 1/3 inch);  
 K 2601 Vi, K 2601 SF, F 2661 Vi, KWT 2601 Vi, KWT 2601 SF, KWT 2661 ViS, KWT 2661 SFS: 296 mm (11 2/3 inch);  
 K 2801 Vi, K 2801 SF, F 2801 Vi, KF 2801 Vi, KF 2801 SF: 363 mm (14 1/3 inch);  
 K 2901 Vi, K 2901 SF, F 2901 Vi, KF 2901 Vi, KF 2901 SF: 428 mm (16 7/8 inch)

E) ONLY valid for SF versions: A + 25 mm (1 inch)

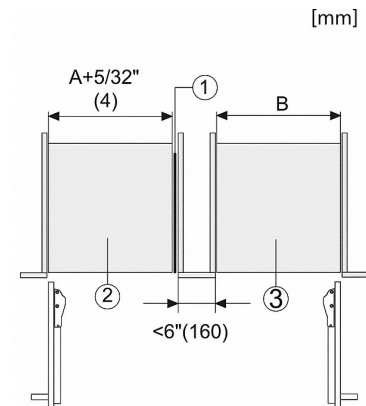


Side-by-side, MasterCool, without partition wall, with heating mat (Sketch) (with footnote)

1) Heating mat KSK 2001 (EU, AUS, CN) or KSK 2002 (US, CA, MX, BR)



KF2801Vi, KF2811Vi, MasterCool II, installation drawings



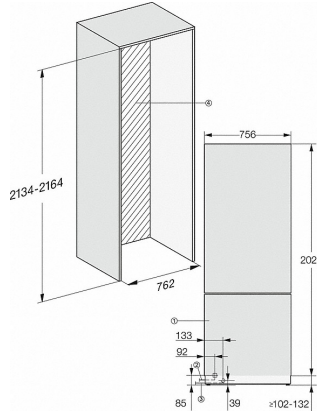
Side-by-Side, MasterCool, footnote, installation drawings

1. KSK 2001/2002  
 2. Device A  
 3. Device B  
 A = niche device A  
 B = niche device B

KF 2801 Vi

MasterCool fridge-freezer

For high-end design and technology on a large scale.



KF2801Vi, KF2811SF, KF2811Vi, KF2811SF, MasterCool, installation drawings

1. View from the front
2. Mains Connection cable, L = 3000 mm
3. Water inlet position, L = 2000mm
4. No water/ELT connections permitted in this area