

K 2801 Vi

MasterCool refrigerator

For high-end design and technology on a large scale.



- Push2open for convenient door-opening assistance
- Food stays fresh for up to 3 x longer thanks to MasterFresh
- Light floods the interior thanks to LED elements – BrilliantLight
- Communication with the machine could not be easier – WiFi Conn@ct
- Convenient control thanks to colour touch display MasterSensor

**A++**

EAN: 4002516154648 / article number: 36280101EU1 / material number: 11188540

<b>Appliance category</b>	
Refrigerator	•
<b>Construction type</b>	
Built-in appliance	•
Integrated appliance	•
Door hinge	right
Convertible door hinging	•
Side-by-side enabled	•
<b>Design</b>	
Lighting	BrilliantLight
<b>User convenience</b>	
Freshness system	MasterFresh
ComfortClean	•
DynaCool	•
SelfClose	•
Push2open	•
FullAccess	•
EasyClean	•
MaxLoad hinge	•
<b>Controls</b>	
Operating concept	MasterSensor
Automatic SuperCool	•
No. of temperature zones	2
Sabbath mode	•
<b>Fridge/Fridge section</b>	
Height-adjustable tempered glass shelves	2
No. of vegetable drawers	1
No. of crisper drawers	2
SlidingShelf	•
Door shelves for jars	1
Door rack for bottles	3
<b>Efficiency and sustainability</b>	
Energy efficiency class (A+++ – D)	A++
Annual energy consumption in kWh	141
Energy consumption in 24 h in kWh	0,386
<b>Appliance networking</b>	
Miele@home	•
WiFiConn@ct	•
MobileControl	•
<b>Safety</b>	
Lock function	•
Spill guard	•
Acoustic door alarm	•
Acoustic temperature alarm	•
Optical door alarm	•
Optical temperature alarm	•

K 2801 Vi

MasterCool refrigerator

For high-end design and technology on a large scale.

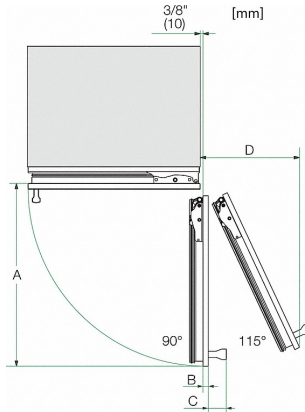


Technical data	
Niche width in mm	762
Niche height in mm	2.134
Niche depth in mm	629
Appliance width in mm	756
Appliance height in mm	2.127
Appliance depth in mm	629
Weight in kg	157,5
Door hinge technology	Fixed door
Max. door front weight – refrigerator, in kg	27
Climate class	SN-T
Refrigerator compartment in l	416
PerfectFresh zone in l	47
Total usable capacity in l	463
Sound power in dB(A) re1pW	40
Current consumption (mA)	3.000
Voltage in V	220-240
Fuse rating in A	10
Frequency in Hz	50
Length of supply lead in m	3,0
Standard accessories	
Active AirClean filter	•

K 2801 Vi

MasterCool refrigerator

For high-end design and technology on a large scale.



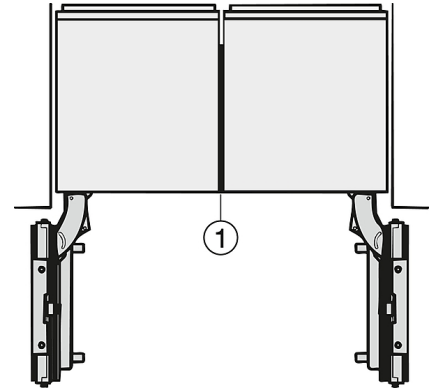
Opening angle 90°/115°, right side stop, MasterCool (Sketch) with footnote

A) Appliance door width  
 F 2461 Vi: 525 mm (20 2/3 inch);  
 K 2601 Vi, K 2601 SF, F 2661 Vi, KWT 2601 Vi, KWT 2601 SF, KWT 2661 VIS, KWT 2661 SFS: 677 mm (26 2/3 inch);  
 K 2801 Vi, K 2801 SF, F 2801 Vi, KF 2801 Vi, KF 2801 SF: 829 mm (32 2/3 inch);  
 K 2901 Vi, K 2901 SF, F 2901 Vi, KF 2901 Vi, KF 2901 SF: 982 mm (38 2/3 inch)

B) Furniture front (max. 38 mm) (1 1/2 inch)  
 C) Door handle

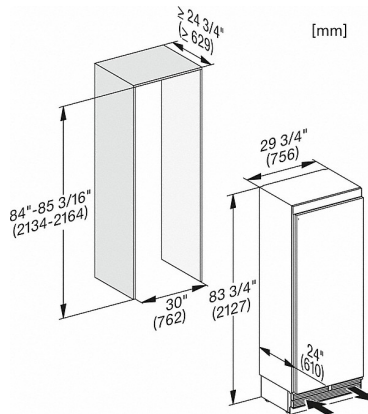
D) Distance door to wall (without furniture front and door handle): F 2461 Vi: 237 mm (9 1/3 inch);  
 K 2601 Vi, K 2601 SF, F 2661 Vi, KWT 2601 Vi, KWT 2601 SF, KWT 2661 VIS, KWT 2661 SFS: 296 mm (11 2/3 inch);  
 K 2801 Vi, K 2801 SF, F 2801 Vi, KF 2801 Vi, KF 2801 SF: 363 mm (14 1/3 inch);  
 K 2901 Vi, K 2901 SF, F 2901 Vi, KF 2901 Vi, KF 2901 SF: 428 mm (16 7/8 inch)

E) ONLY valid for SF versions: A + 25 mm (1 inch)

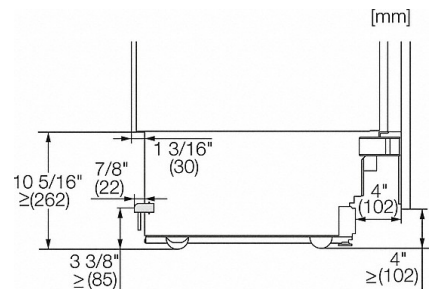


Side-by-side, MasterCool, without partition wall, with heating mat (Sketch) (with footnote)

1) Heating mat KSK 2001 (EU, AUS, CN) or KSK 2002 (US, CA, MX, BR)



K2801Vi, K2811Vi, MasterCool, installation drawings

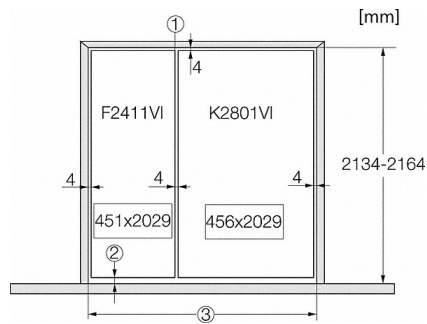


Sideview, MasterCool, Sketch

K 2801 Vi

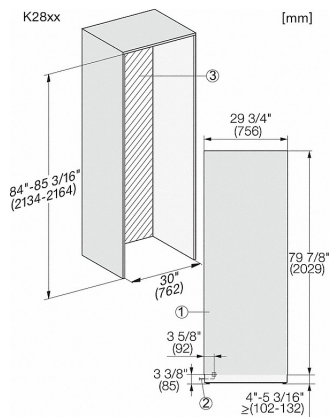
MasterCool refrigerator

For high-end design and technology on a large scale.



Example for dimensioning Side-by-side-Combination MasterCool (Sketch) (\*footnote) (only for EUROPE)

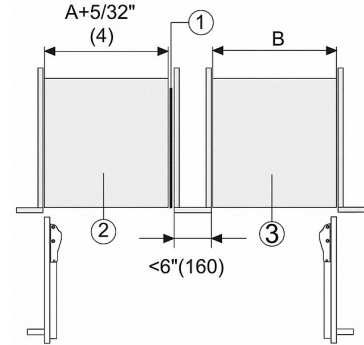
- \*Niche height
- 1 = Side-by-side fitting kit including pre-installed side wall heating KSK 1002
- 2 = Furniture plinth height 102 - 132 mm (the appliance feet can be adjusted up to 30 mm high)
- 3 = Total appliance niche width 1220 mm (458 mm + 762 mm)



K2801Vi, K2811Vi, K2801SF, K2811SF, MasterCool, \*footnote, installation drawings

- 1. View from the front
- 2. Mains connection cable, L = 3000 mm (118 inch)
- 3. No water/ELT connections permitted in this area

[mm]



Side-by-Side, MasterCool, footnote, installation drawings

- 1. KSK 2001/2002
- 2. Device A
- 3. Device B
- A = niche device A
- B = niche device B