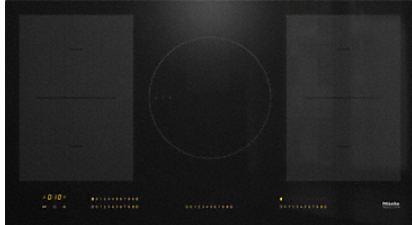


KM 7594 FL

Induction hob with onset controls  
with 4 PowerFlex cooking areas for maximum power output



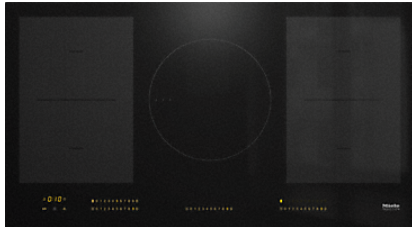
- Intuitive quick selection via number sequences – Smart Select
- 5 cooking zones incl. 4 PowerFlex areas and 28 cm cooking zone
- A width of 936mm for surface-mounted or flush-fit installation
- Shortest heating-up times - TwinBooster
- Communication with the hood - automatic function Con@ctivity

EAN: 4002516149545 / article number: 26759470F / material number: 11126670

<b>Heating type</b>	
Heating type	Induction
<b>Construction type</b>	
Independent of cooker	•
<b>Design</b>	
Elegant glass ceramic surface	•
Ceramic surface colour	Black
Flush-fit installation	•
Surface-mounted installation	•
Can be combined with SmartLine	•
<b>Cooking zone details</b>	
Number of cooking zones	5
Number of cooking areas	2
Maximum number of pans	5
<b>PowerFlex cooking zone</b>	
No.	4
Size in mm	150x230
Max. rating in W	2.100
Max. Booster power rating in W	3.000
Max. TwinBooster power rating in W	3650
<b>Cooking zone</b>	
Position	Left
Type	PowerFlex bridge
Size in mm	230x390
Max. rating in W	3400
Max. Booster power rating in W	4800
Max. TwinBooster power rating in W	7300
Position	Centred
Type	Dual-circuit ring
Size in mm	Ø 180-280
Max. rating in W	2600
Max. Booster power rating in W	3000
Max. TwinBooster power rating in W	3650
Position	right
Type	PowerFlex bridge
Size in mm	230x390
Max. rating in W	3400
Max. Booster power rating in W	4800
Max. TwinBooster power rating in W	7300

KM 7594 FL

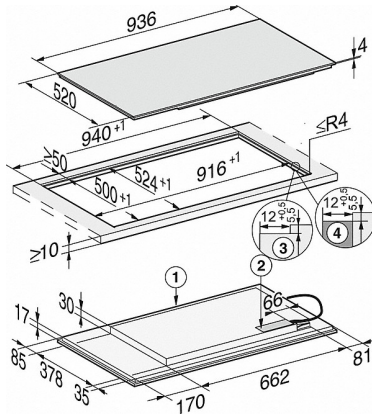
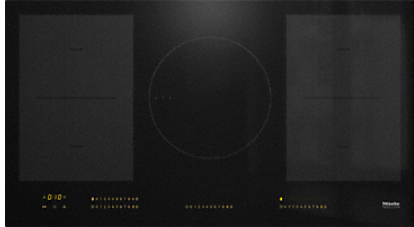
Induction hob with onset controls  
with 4 PowerFlex cooking areas for maximum power output



<b>User convenience</b>	
Operation via sensor controls	Smart Select
Display colour	Yellow
Permanent pan recognition	•
Pan and pan size recognition	•
Stop & Go function	•
Recall function	•
Minute minder	•
Safety switch-off	•
Auto heat-up	•
Keeping warm	•
Individual setting options (e.g. buzzers)	•
<b>Appliance networking</b>	
Miele@home	•
WiFiConn@ct	•
Automatic function Con@ctivity 3.0	•
<b>Cleaning convenience</b>	
Easy to clean ceramic glass	•
Wipe protection	•
<b>Safety</b>	
Safety switch-off	•
Lock function	•
System lock	•
Integrated cooling fan	•
Overheating protection	•
Residual heat indicator	•
<b>Technical data</b>	
Dimensions in mm (width)	936
Dimensions in mm (height)	51
Dimensions in mm (depth)	520
Casing height incl. connection box in mm	51
Cutout dimensions in mm (width) with surface-mounted installation	916
Cutout dimensions in mm (depth) with surface-mounted installation	500
Internal cutout dimensions in mm (width) with flush installation	916
Internal cutout dimensions in mm (depth) with flush installation	500
External cutout dimensions in mm (width) with flush installation	940
External cutout dimensions in mm (depth) with flush installation	524
Weight in kg	16
Total rated load in kW	11,000
Voltage in V	230
Frequency in Hz	50-60
Connection cable length in m	1,4
<b>Standard accessories</b>	
Mains cable	•

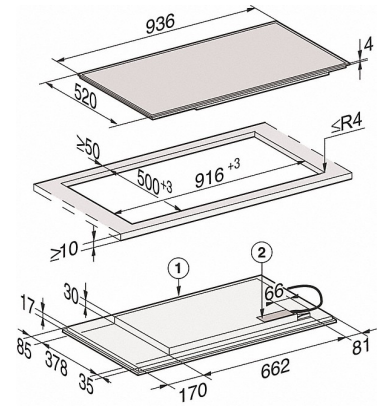
## KM 7594 FL

Induction hob with onset controls  
with 4 PowerFlex cooking areas for maximum power output



KM 7594 FL (Installation drawings)

- 1) Front
- 2) Mains connection box with mains connection cable, L = 1440 mm
- 3) Stepped cut-out stone worktops
- 4) Wooden frame 12 mm (supplied loose)



KM 7594 FL (Installation drawing)

- 1) Front, 2) Mains connection box with mains connection cable, L = 1440 mm