

KM 7464 FR

Induction hob with onset controls  
with PowerFlex cooking area for maximum power output



- Quick selection via numerical keybank – ComfortSelect
- 4 cooking zones incl. 1 high-power PowerFlex cooking area
- A width of 626mm with stainless steel frame for surface installation
- Shortest heating-up times - TwinBooster
- Communication with the hood - automatic function Con@ctivity

EAN: 4002516138495 / article number: 26746400D / material number: 11022890

<b>Heating type</b>	
Heating type	Induction
<b>Construction type</b>	
Independent of cooker	•
<b>Design</b>	
Elegant glass ceramic surface	•
Ceramic surface colour	Black
Stainless-steel frame	•
<b>Cooking zone details</b>	
Number of cooking zones	4
Number of cooking areas	1
Maximum number of pans	4
<b>PowerFlex cooking zone</b>	
No.	2
Size in mm	Ø 150 – 230
Max. rating in W	2100
Max. Booster power rating in W	3000
Max. TwinBooster power rating in W	3650
<b>Cooking zone</b>	
Position	front left
Type	Dual-circuit ring
Size in mm	Ø 140-190
Max. rating in W	1850
Max. Booster power rating in W	2500
Max. TwinBooster power rating in W	3000
Position	rear left
Type	Dual-circuit ring
Size in mm	Ø 100-160
Max. rating in W	1400
Max. Booster power rating in W	1700
Max. TwinBooster power rating in W	2200
Position	right
Type	PowerFlex bridge
Size in mm	230x390
Max. rating in W	3400
Max. Booster power rating in W	4800
Max. TwinBooster power rating in W	7300
<b>User convenience</b>	
Display colour	Yellow
Permanent pan recognition	•
Pan and pan size recognition	•
Stop & Go function	•
Recall function	•
Minute minder	•
Safety switch-off	•
Auto heat-up	•
Keeping warm	•
Individual setting options (e.g. buzzers)	•

KM 7464 FR

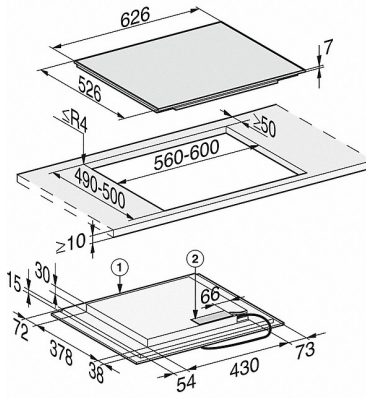
Induction hob with onset controls  
with PowerFlex cooking area for maximum power output



<b>Appliance networking</b>	
Miele@home	•
WiFiConn@ct	•
Automatic function Con@ctivity 3.0	•
<b>Cleaning convenience</b>	
Easy to clean ceramic glass	•
<b>Safety</b>	
Safety switch-off	•
Lock function	•
System lock	•
Integrated cooling fan	•
Overheating protection	•
Residual heat indicator	•
<b>Technical data</b>	
Dimensions in mm (width)	626
Dimensions in mm (height)	52
Dimensions in mm (depth)	526
Casing height incl. connection box in mm	45
Cutout dimensions in mm (width) with surface-mounted installation	560
Cutout dimensions in mm (depth) with surface-mounted installation	490
Weight in kg	11
Total rated load in kW	7,300
Voltage in V	230
Frequency in Hz	50-60
Connection cable length in m	1,4
<b>Standard accessories</b>	
Mains cable	•

## KM 7464 FR

Induction hob with onset controls  
with PowerFlex cooking area for maximum power output



KM 7464 FR (installation drawings)

1) at the front 2) Mains connection box with mains connection cable, L = 1440 mm