

KM 2052

Gas hob

in maximum width for the ultimate in cooking and user convenience.



- Easy and direct controls - operation via rotary controls
- Professional design - 900mm wide stainless steel trough
- Particularly versatile - 5 burners incl. 1 dual wok
- Extremely safe - GasStop function
- Particularly high-quality - enamelled cast-iron pot rests

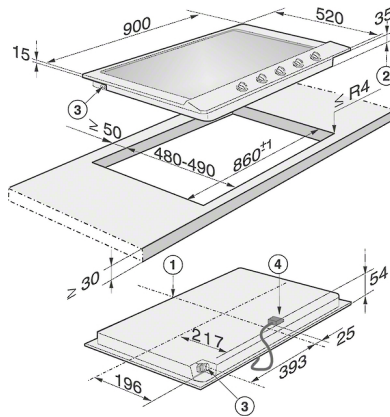
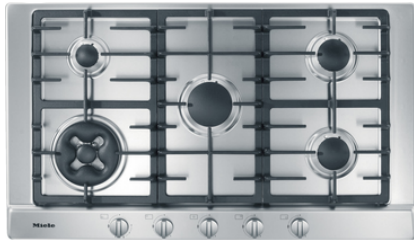
EAN: 4002514389790 / article number: 26205250FLG / material number: 07132770

Heating type	
Heating type	Gas
Construction type	
Independent of cooker	•
Design	
Stainless steel trough	•
Cast iron pot rests (matt black enamelled)	•
Cooking zone details	
Number of cooking zones	5
Cooking zone	
Position	front left
Type	Dual wok burner
Size in mm	Ø 120-240
Max. rating in W	4200
Position	rear left
Type	Economy burner
Size in mm	Ø 100-220
Max. rating in W	1000
Position	Centred
Type	High-speed burner
Size in mm	120-240
Max. rating in W	2600
Position	rear right
Type	Standard burner
Size in mm	Ø 100-220
Max. rating in W	1750
Position	front right
Type	Standard burner
Size in mm	Ø 100-220
Max. rating in W	1750
User convenience	
Operation via knobs	•
Electronic ignition with single-hand operation	•
Cleaning convenience	
PerfectClean burner	•
Safety	
GasStop	•
Technical data	
Dimensions in mm (width)	900
Dimensions in mm (height)	90
Dimensions in mm (depth)	520
Cutout dimensions in mm (width) with surface-mounted installation	860
Cutout dimensions in mm (depth) with surface-mounted installation	480
Weight in kg	19
Voltage in V	127
Frequency in Hz	60
Connection cable length in m	2,0

KM 2052

Gas hob

in maximum width for the ultimate in cooking and user convenience.



KM2050G (installation drawing)

1. Front
2. Building-in depth
3. Gas connection R 1/2 - ISO 7-1 (DIN 10226)
4. Mains connection box with mains connection cable, L = 2000 mm