

KM 2014

Gas hob

with a dual wok burner for particularly wide ranging burner capacity.



- Simple controls -single-handed operation via rotary dial control
- Professional design - 650mm wide stainless steel trough
- Particularly versatile - 4 burners incl. 1 dual wok
- Extremely safe - GasStop function
- Particularly high-quality - enamelled cast-iron pot rests

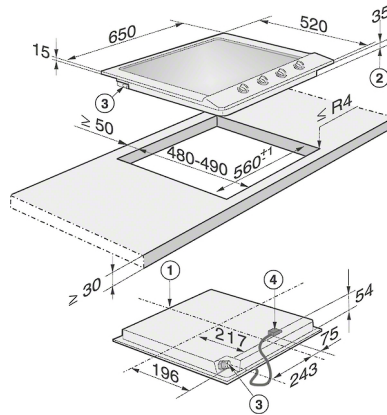
EAN: 4002514356464 / article number: 262014501 / material number: 07051730

<b>Heating type</b>	
Heating type	Gas
<b>Construction type</b>	
Independent of cooker	•
<b>Design</b>	
Stainless steel trough	•
Cast iron pot rests (matt black enamelled)	•
<b>Cooking zone details</b>	
Number of cooking zones	4
<b>Cooking zone</b>	
Position	front left
Type	Dual wok burner
Max. rating in W	4200
Position	rear left
Type	Economy burner
Max. rating in W	1000
Position	rear right
Type	Standard burner
Max. rating in W	1750
Position	front right
Type	Standard burner
Max. rating in W	1750
<b>User convenience</b>	
Operation via knobs	•
<b>Cleaning convenience</b>	
PerfectClean burner	•
<b>Safety</b>	
GasStop	•
<b>Technical data</b>	
Dimensions in mm (width)	650
Dimensions in mm (height)	90
Dimensions in mm (depth)	520
Cutout dimensions in mm (width) with surface-mounted installation	560
Cutout dimensions in mm (depth) with surface-mounted installation	480
Weight in kg	14
Total rated load in kW	8,700
Voltage in V	230-240
Frequency in Hz	50-60
Connection cable length in m	2,0
<b>Standard accessories</b>	
Mains cable	•

KM 2014

Gas hob

with a dual wok burner for particularly wide ranging burner capacity.



KM2010G (Installation drawing)

1. Front
2. Building-in depth
3. Gas connection R 1/2 - ISO 7-1 (DIN EN 10226)
4. Mains connection box with mains connection cable, L = 2000 mm