

CombiSet – CS 1421 S

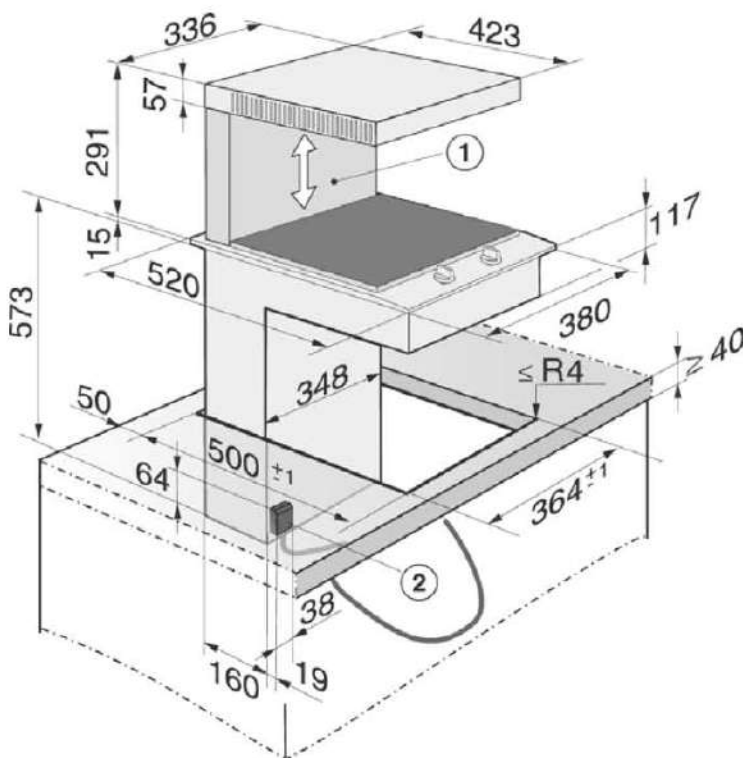


Features

- Stainless steel frame with glass ceramic surface
- Two solid metal knobs
- Embossed Miele logo
- 1 top-heat element for gratinating food, browning and food-warming
- Submerged, motor-driven unit returns to flush position after use and cool-down period
- On indicator and Residual heat indicator
- 12 power settings
- Thermal retraction stop and resistance sensor during retraction

Installation requirements

- 230 – 240 V
- Rated load: 1.6 kW
- Fuse rating: 16 A
- Length of cable: 2.0 m
- Supplied with UK-plug
- Electrical supply required



Built-in Dimensions

Height:	57.3cm
Width:	36.4 cm
Depth:	50.0 cm
Space behind hob:	5.0 cm
Space to wall or tall unit at side of hob:	15.0 cm
Space to cooker hood:	minimum 65.0 cm

Art No 27.1412.50 Mat No 07120250, GB version

Due to continuous product improvement, Miele reserves the right to make changes to products and technical data without prior notice.

PT. Bloomfile International
 Jl. K.H Wahid Hasyim 96 A
 Jakarta 10340
 Showroom : +62 21 3190 2211
 Office : +62 21 3190 7368
 Fax : +62 21 3190 7369