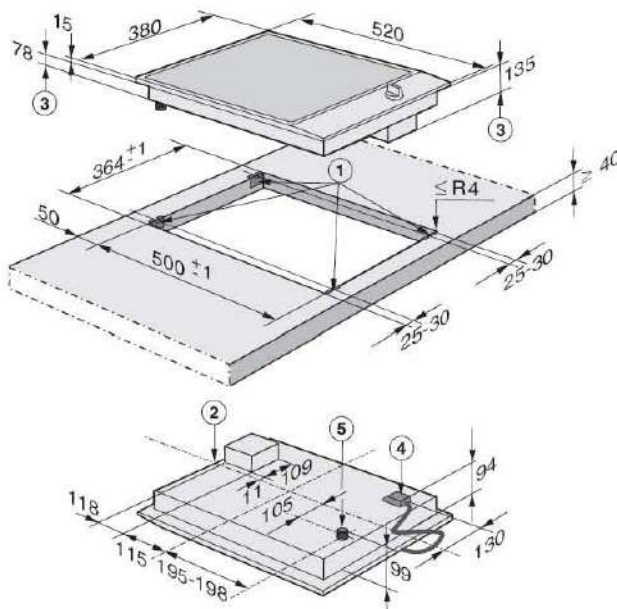


## CombiSet – CS 1028 G



### Features

- Gas hob (dual wok)
- High-grade stainless steel gas hob unit
- Solid metal knobs
- Embossed Miele logo
- Single handed electronic ignition
- On indicator and Residual heat indicator
- Power rating: 8 kW (TOWN gas)
- Supplied for connection to Town gas with a set of LP-Gas nozzles
- Safety: Safety switch-off after 4 hours, thermo-electric ignition monitoring

### Installation requirements

- Rated load 0.025 kW
- Fuse rating 13 A
- Length of cable 1.4 m
- Without plug
- Electrical supply required
- Connection adapter/coupler from gas supply hose to appliance
- Connection pressure in mbar/kPa  
Towngas 10-20 / 1-2  
Liquid gas 30 / 3

### Built-in Dimensions

Height:	13.5 cm
Width:	36.4 cm
Depth:	50 cm
Space behind hob:	5 cm
Space to wall or tall unit at side of hob:	25 cm
Recommended distance for cooker hood (optimum suction)	65-75cm

Art No 27.10128.50 Mat No 0794010 HK version

Due to continuous product improvement, Miele reserves the right to make changes to products and technical data without prior notice.

P.T. Bloomflis International  
 Jl. K.H Wahid Hasyim 96 A  
 Jakarta 10340  
 Showroom : +62 21 3190 2211  
 Office : +62 21 3190 7368  
 Fax : +62 21 3190 7369