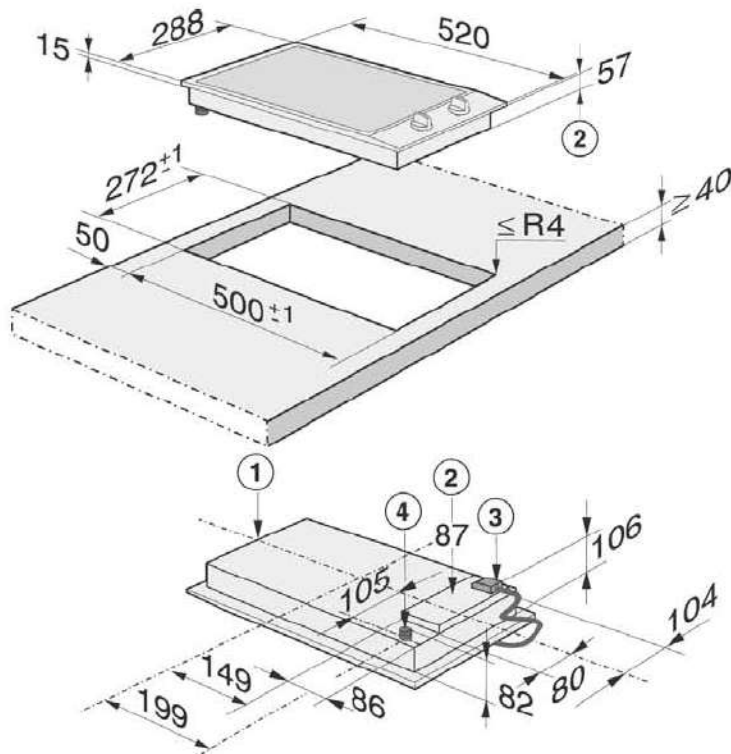


CombiSet – CS 1012 G



Features

- Gas hob
- 1 extra high-speed burner, 1 standard burner
- High-grade stainless steel gas hob unit
- Solid metal knobs
- Embossed Miele logo
- Single handed electronic ignition
- Fast push-and-release ignition
- On indicator and Residual heat indicator
- Power rating:
Rear: 0.55 kW – 3.0 kW
Front: 0.38 kW – 1.6 kW
Total: 4.6 kW
- Supplied for connection to Natural gas with a set of LP-Gas nozzles
- Safety: Safety switch-off after 4 hours, fast ignition, thermo-electric ignition monitoring, automatic re-ignition with thermoelectric flame failure monitor

Installation requirements

- Rated load 0.025 kW
- Fuse rating 10 A
- Length of cable 1.4 m
- Without plug
- Electrical supply required
- Connection adapter/coupler from gas supply hose to appliance
- Connection pressure in mbar/kPa
Towngas 10-20 / 1-2
Liquid gas 30 / 3

Built-in Dimensions

Height:	5.7 cm
Width:	27.2 cm
Depth:	50 cm
Space behind hob:	5 cm
Space to wall or tall unit at side of hob:	25 cm
Recommended distance for cooker hood (optimum suction)	65-75cm

Art No 27.1012.50 Mat No 7113390 GB version

Due to continuous product improvement, Miele reserves the right to make changes to products and technical data without prior notice.

PT. Bloomfils International
Jl. K.H Wahid Hasyim 98 A
Jakarta 10340
Showroom : +62 21 3190 2211
Office : +62 21 3190 7368
Fax : +62 21 3190 7369