

CS 1011 G
ProLine element
with one burner

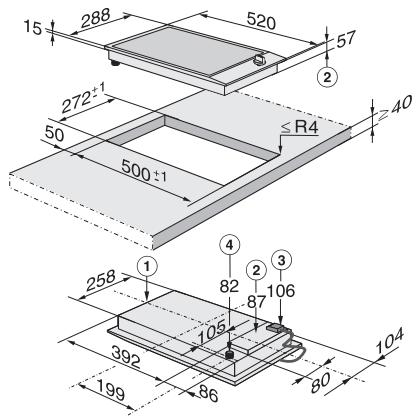


- Professional design – Stainless steel trough, 288 mm wide
- Broad performance spectrum – dual wok with up to 6.000 kW kW of power
- Optimal – single-handed operation via rotary dials and QuickStart
- Extremely safe – GasStop&Restart function
- Easy cleaning – dishwasher-safe ComfortClean pot rests

EAN: 4002514382944 / Material number: 07113380 /
Old Material Number: 27101150GB

Heating type	
Heating type	Gas
Construction type	
ProLine	•
Design	
Miele logo embossed in stainless steel	•
Surface-mounted/flush-fit	-/-
Stainless steel trough	•
Cast iron pot rests (matt black enamelled)	•
Cooking zone details	
Number of cooking zones	1
Number of cooking zones/cooking areas	-/-
1st cooking zone/cooking area	
Position	Centred
Type	Dual wok burner
Max. rating in W	6000
User convenience	
Operation via knobs	•
QuickStart	•
Safety	
Heat indicator	•
Operational indicator	•
GasStop & ReStart	•
Technical data	
Dimensions (H x W x D) in mm	73 x 288 x 520
Dimensions in mm (width)	288
Dimensions in mm (height)	73
Dimensions in mm (depth)	520
Cut-out dimensions (W x D) with surface-mounted installation in mm	272 mm x 500 mm
Casing height incl. connection box in mm	106
Cutout dimensions in mm (width) with surface-mounted installation	272 mm
Cutout dimensions in mm (depth) with surface-mounted installation	500 mm
Weight in kg	8
Total rated load in kW	6.00
Length of supply lead in m	2.0
Voltage in V	230-240
Frequency in Hz	50-60
Accessories included	
Mains cable	Yes
Jets for liquid gas	•
Wok ring	•

CS 1011 G ProLine element with one burner



CS1011G, CS1011-1G (installation drawing)

The final space requirements for a gas connection should be checked with a licensed gas fitter, in order to conform to local and national regulations. The room of installation must be at least 20m³ in size and have an outside door or window. 1) Front, 2) Height for building in, 3) Mains connection box with cable, 2000 mm long, 4) Gas connection R 1/2 - ISO 7-1 (DIN EN 10226)