

KF 2912 Vi
MasterCool™ fridge-freezer
For high-end design and technology on a large scale.



- Push2open for convenient door-opening assistance
- Food stays fresh for up to 3 x longer thanks to SmartFresh
- Light floods the interior thanks to LED elements – BrilliantLight
- Convenient control thanks to color touch display MasterSensor

EAN: 4002516321309 / Material number: 11502940 /
Old Material Number: 38291201USA

General information	
Model identifier	KF 2912 Vi
Manufacturer material number	11502940
EAN number	4002516321309
Appliance category	
Fridge-freezer	•
Design	
Built-in	•
Built-in integrated	•
Door hinge side	Left
Convertible hinging	•
Can be installed side-by-side	•
Design	
Lighting	BrilliantLight
User convenience	
Networking with Miele@home	•
Electronic temperature display and control	MasterSensor
SuperCool	•
Sabbath mode	•
Freshness system	MasterFresh
DynaCool	•
Holiday mode	•
NoFrost	•
DuplexCool Pro	•
SoftClose door closing damper	•
SelfClose	•
IceMaker with mains water connection	•
Push2open	•
FullAccess	•
EasyClean	•
MaxLoad hinge	•
Control	
Independent temperature control of fridge and freezer compartments	Yes
SuperFrost	•
No. of temperature zones	3
Eco mode	•
Fridge/fridge zone	
Height-adjustable, full-width tempered glass shelves	2
No. of PerfectFresh drawers	2
SlidingShelf	•
Door rack for tins	1
Inner door racks for bottles	2
Freezer/freezer zone	
Number of freezer baskets	2
Efficiency and sustainability	
Energy Star Qualified	•

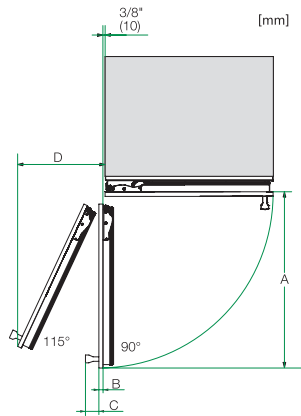
KF 2912 Vi
MasterCool™ fridge-freezer
For high-end design and technology on a large scale.



EAN: 4002516321309 / Material number: 11502940 /
Old Material Number: 38291201USA

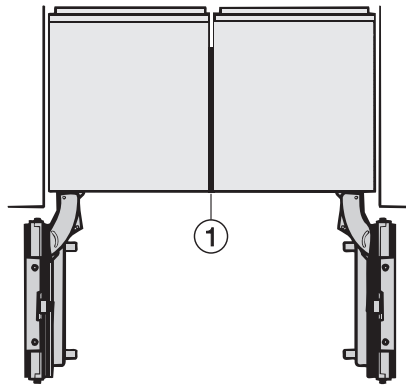
Safety	
Lock function	•
Spill-proof glass shelves	•
Acoustic door alarm	•
Acoustic temperature alarm, freezer section	•
Optical door alarm	•
Optical temperature alarm	•
Technical data	
Niche width in inches (mm), min.	36 (914)
Niche width in inches (mm), max.	36 (914)
Niche height in inches (mm), min.	84 1/8 (2134)
Niche height in inches (mm), max.	84 1/8 (2134)
Niche depth in in.(mm)	24 7/8 (629)
Appliance width in in.(mm)	35 3/4 (908)
Appliance height in in.(mm)	83 3/4 (2125)
Appliance depth in in.(mm)	24 (608)
Weight in lbs.(kg)	427 (193.5)
Type of mounting	Fixed door
Maximum fridge compartment door front weight in lbs. (kg)	89 (40)
Maximum freezer compartment door front weight in lbs. (kg)	23 (10)
including PerfectFresh zone in l	1.2 (34)
Total usable capacity in cu. ft. (l)	19.6 (555)
Storage time in case of fault in h	13
Current consumption in milliampere (mA)	4000
Voltage in V	110-120
Fuse rating in A	10
Number of phases	1
Frequency in Hz	60
Wire length in ft (m)	9 (3.0)
Replacing bulbs	Customer Service
Standard accessories	
Active AirClean filter	•
Available display languages	
Available display languages via MultiLingua	[?][?][?][?][?][?][?], [?] [?], [?][?][?][?], deutsch, dansk, english, english (AU), english (CA), english (GB), english (US), eesti, suomi, français, français (CA), français (FR), ελληνικά, italiano, [?][?] [?], [?][?][?], hrvatski, latviesu, lietuviu, bahasa malaysia, nederlands, norsk, polski, portugûês, română, русский, svenska, srpski, slovenčina, slovenščina, esprañol, čeština, türkçe, українська, magyar

KF 2912 Vi
MasterCool™ fridge-freezer
For high-end design and technology on a large scale.



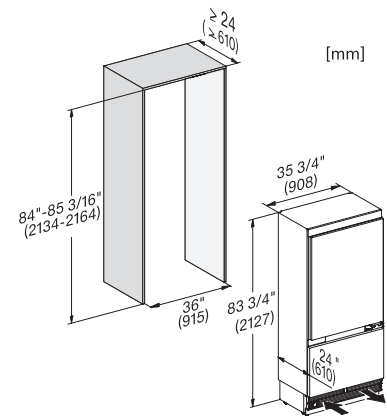
Opening angle 90°/115°, right side stop, MasterCool (Sketch) with footnote

A) Appliance door, K 2611 Vi, KWT 2611 Vi, KWT 2611 SF, KWT 2671 ViS: 677 mm (26 2/3 inch);, K 2612 Vi, KWT 2612 Vi, KWT 2612 SF, KWT 2672 ViS: 677 mm (26 2/3 inch);, K 2811 Vi, K 2811 SF, KF 2811 Vi, KF 2811 SF: 829 mm (32 2/3 inch);, K 2812 Vi, K 2812 SF, KF 2812 Vi, KF 2812 SF: 829 mm (32 2/3 inch);, K 2911 Vi, K 2911 SF, KF 2911 Vi, KF 2911 SF: 982 mm (38 2/3 inch);, K 2912 Vi, K 2912 SF, KF 2912 Vi, KF 2912 SF: 982 mm (38 2/3 inch);, B) Furniture front (max. 38 mm) (1 1/2 inch), C) Door handle, D) Distance from the door to the wall (without furniture front and door handle):, K 2611 Vi, KWT 2611 Vi, KWT 2611 SF, KWT 2671 ViS: 296 mm (11 2/3 inch);, K 2612 Vi, KWT 2612 Vi, KWT 2612 SF, KWT 2672 ViS: 296 mm (11 2/3 inch);, K 2811 Vi, K 2811 SF, KF 2811 Vi, KF 2811 SF: 363 mm (14 1/3 inch);, K 2812 Vi, K 2812 SF, KF 2812 Vi, KF 2812 SF: 363 mm (14 1/3 inch);, K 2911 Vi, K 2911 SF, KF 2911 Vi, KF 2911 SF: 428 mm (16 7/8 inch);, K 2912 Vi, K 2912 SF, KF 2912 Vi, KF 2912 SF: 428 mm (16 7/8 inch);, E) ONLY valid for SF versions: A + 25 mm (1 inch)

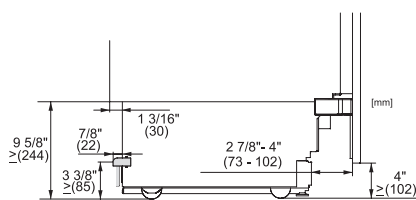


Side-by-side, MasterCool, without partition wall, with heating mat (Sketch) (with footnote)

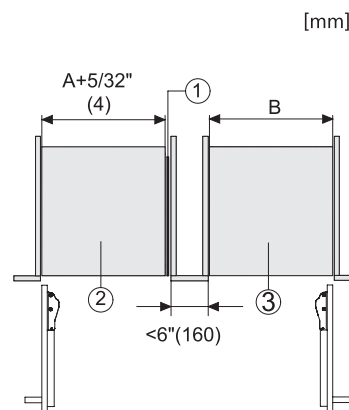
1) Heating mat KSK 2001 (EU, AUS, CN) or KSK 2002 (US, CA, MX, BR)



KF2902Vi, KF2912Vi, KF2901Vi, KF2911Vi, installation, MasterCool, installation drawings

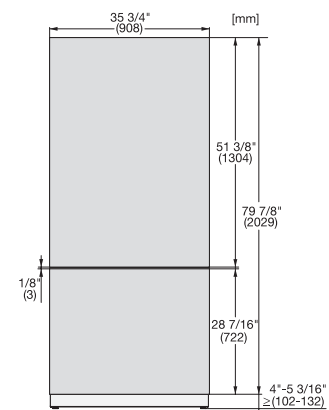


KF2901Vi/SF, KF2911Vi/SF, KF2801Vi/SF, KF2811Vi/SF, KF2981Vi/SF, sideview, MasterCool, installation drawings



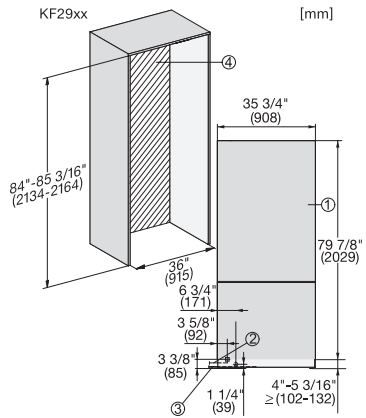
Side-by-Side, MasterCool, footnote, installation drawings

1. KSK 2001/2002, 2. Device A, 3. Device B, A = niche device A, B = niche device B



KFP3615ed/cs, KFP3625ed/cs, KFP3614ed/cs, KFP3624ed/cs Front panel, Front dimensions, MasterCool, installation drawings

KF 2912 Vi
MasterCool™ fridge-freezer
For high-end design and technology on a large scale.



KF2902Vi/SF, KF2912Vi/SF, KF2982Vi/SF, KF2901Vi/SF, KF2911Vi/SF, KF2981Vi/SF, installation, MasterCool
1. View from the front, 2. Mains Connection cable, L = 3000 mm (118 inch), 3. Water inlet position, L = 2000mm (not for KON USA), 4. No water/ELT connections permitted in this area