

F 2411 Vi

MasterCool freezer

For high-end design and technology on a large scale.



- Push2open for convenient door-opening assistance
- Light floods the interior thanks to LED elements – BrilliantLight
- Fresh ice cubes from the IceMaker with mains water connection
- Communication with appliances couldn't be easier – WiFiConn@ct
- Convenient control thanks to colour touch display MasterSensor

A++

EAN: 4002516154709 / article number: 37241101EU1 / material number: 11188640

Appliance category	
Freezer	•
Construction type	
Built-in appliance	•
Integrated appliance	•
Door hinge	Left
Convertible door hinging	•
Side-by-side enabled	•
Design	
Lighting	BrilliantLight
User convenience	
NoFrost	•
IceMaker with mains water connection	•
Push2open	•
FullAccess	•
EasyClean	•
MaxLoad hinge	•
Controls	
Operating concept	MasterSensor
SuperFreeze	•
No. of temperature zones	1
Sabbath mode	•
Fridge/Fridge section	
Door baskets – small	1
Door baskets – large	3
Freezer/Freezer section	
No. of shelves/surfaces	2
Number of freezer baskets	2
Efficiency and sustainability	
Energy efficiency class (A+++ – D)	A++
Annual energy consumption in kWh	253
Energy consumption in 24 h in kWh	0,683
Appliance networking	
Miele@home	•
WiFiConn@ct	•
MobileControl	•
Safety	
Lock function	•
Acoustic door alarm	•
Acoustic temperature alarm	•
Optical door alarm	•
Optical temperature alarm	•

F 2411 Vi

MasterCool freezer

For high-end design and technology on a large scale.

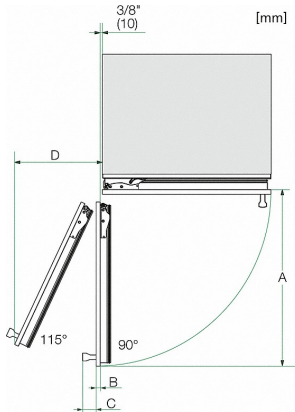


Technical data	
Niche width in mm	457
Niche height in mm	2.134
Niche depth in mm	629
Appliance width in mm	451
Appliance height in mm	2.127
Appliance depth in mm	629
Weight in kg	118,0
Door hinge technology	Fixed door
Max. door front weight – refrigerator, in kg	59
Climate class	SN-T
4* freezer compartment in l	226
Total usable capacity in l	268
Storage time in case of fault	10
Freezer capacity in kg/24 h	16,0
Sound power in dB(A) re1pW	42
Current consumption (mA)	3.000
Voltage in V	220-240
Fuse rating in A	10
Frequency in Hz	50
Length of supply lead in m	3,0

F 2411 Vi

MasterCool freezer

For high-end design and technology on a large scale.



Opening angle 90°/115°, right side stop, MasterCool (Sketch) with footnote

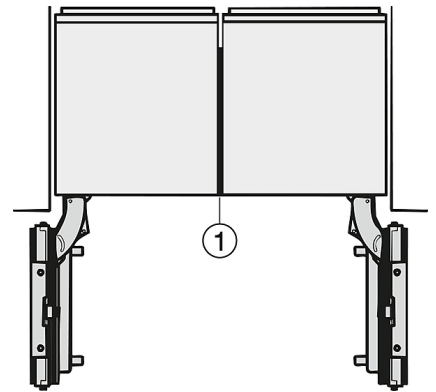
A) Appliance door
 F 2411 Vi, F 2411 SF, F 2471 Vi, F 2471 SF: 525 mm (20 2/3 inch);
 K 2611 Vi, F 2671 Vi, F 2671 SF, KWT 2611 Vi, KWT 2611 SF, KWT 2671 ViS: 677 mm (26 2/3 inch);
 K 2811 Vi, K 2811 SF, F 2811 SF, F 2811 Vi, KF 2811 Vi, KF 2811 SF: 829 mm (32 2/3 inch);
 K 2911 Vi, K 2911 SF, F 2911 Vi, F 2911 SF, KF 2911 Vi, KF 2911 SF: 982 mm (38 2/3 inch)

B) Furniture front (max. 38 mm) (1 1/2 inch)

C) Door handle

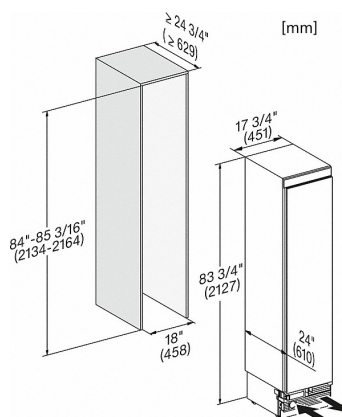
D) Distance from the door to the wall (without furniture front and door handle): F 2411 Vi, F 2411 SF, F 2471 Vi, F 2471 SF: 237 mm (9 1/3 inch);
 K 2611 Vi, F 2671 Vi, F 2671 SF, KWT 2611 Vi, KWT 2611 SF, KWT 2671 ViS: 296 mm (11 2/3 inch);
 K 2811 Vi, K 2811 SF, F 2811 SF, F 2811 Vi, KF 2811 Vi, KF 2811 SF: 363 mm (14 1/3 inch);
 K 2911 Vi, K 2911 SF, F 2911 Vi, F 2911 SF, KF 2911 Vi, KF 2911 SF: 428 mm (16 7/8 inch)

E) ONLY valid for SF versions: A + 25 mm (1 inch)

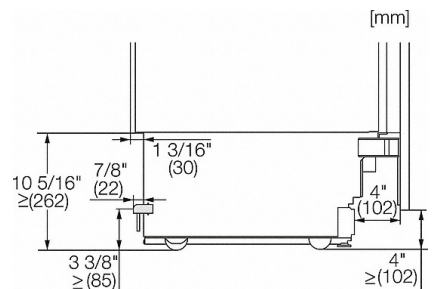


Side-by-side, MasterCool, without partition wall, with heating mat (Sketch) (with footnote)

1) Heating mat KSK 2001 (EU, AUS, CN) or KSK 2002 (US, CA, MX, BR)



F2411Vi, MasterCool, inner space, installation drawings

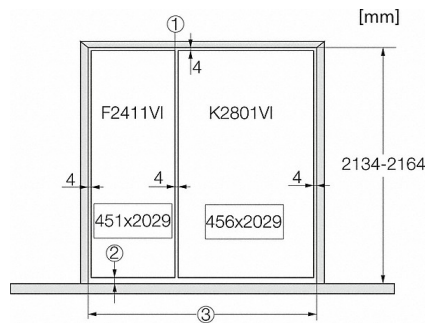


Sideview, MasterCool, Sketch

F 2411 Vi

MasterCool freezer

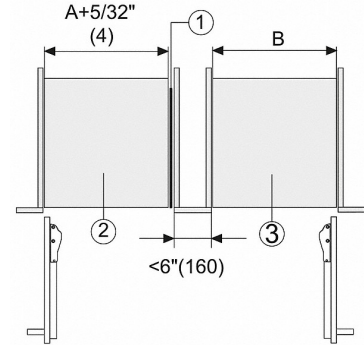
For high-end design and technology on a large scale.



Example for dimensioning Side-by-side-Combination MasterCool (Sketch) (*footnote) (only for EUROPE)

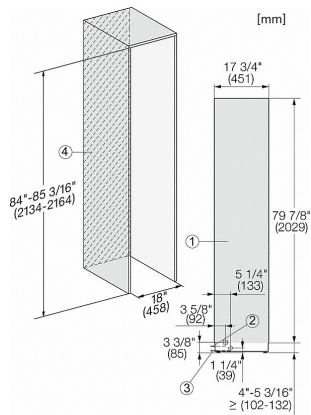
- *Niche height
 1 = Side-by-side fitting kit including pre-installed side wall heating KSK 1002
 2 = Furniture plinth height 102 - 132 mm (the appliance feet can be adjusted up to 30 mm high)
 3 = Total appliance niche width 1220 mm (458 mm + 762 mm)

[mm]



Side-by-Side, MasterCool, footnote, installation drawings

1. KSK 2001/2002
2. Device A
3. Device B
- A = niche device A
- B = niche device B



F2471Vi, F2471SF, F2461Vi, F2411Vi, F2411SF, installation, MasterCool, installation drawings

1. View from the front
2. Mains Connection cable, L = 3000 mm (118 inch)
3. Water inlet position, L = 2000 mm (not for KON USA)
4. No water/ELT connections permitted in this area