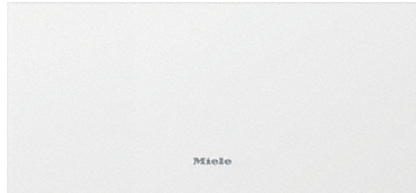


ESW 7020

29 cm high handleless Gourmet warming drawer
for preheating crockery, keeping food warm and low temperature cooking.



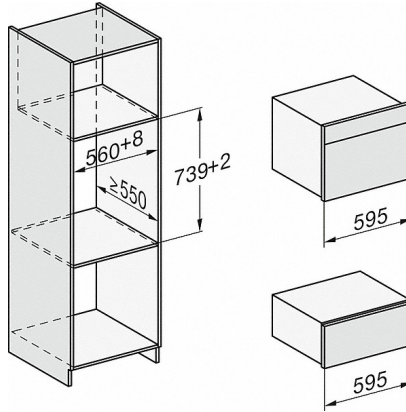
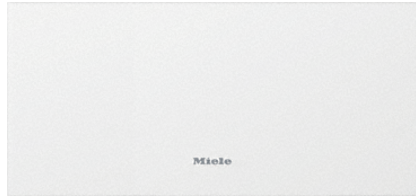
- The ultimate in enjoyment – low temperature cooking
- Always at the right temperature – four operating modes
- Convenient and easy – Touch control
- Push2open – opening the drawer couldn't be easier
- Better safe than sorry – timer with automatic switch-off

EAN: 4002516128205 / article number: 30702010D / material number: 11103120

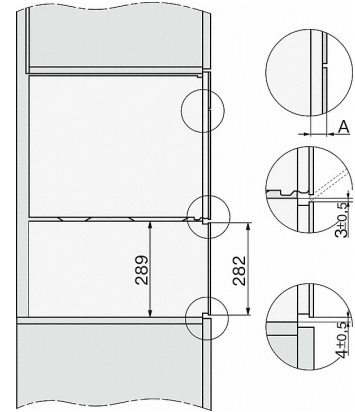
Model and design	
Gourmet warming drawer	•
VitroLine	•
ArtLine	•
Handleless	•
Colour	Brilliant white
Convenience features	
Pre-heating crockery	•
Keeping food warm	•
Perfect cooking results at low temperature	•
Operating modes	
Cup warming	•
Plate warming	•
Keeping food warm	•
Low temperature cooking	•
User convenience	
Capacity	12 place settings
Push2open mechanism	•
Fully telescopic runners for easy loading and unloading	•
Control panel with sensor controls	•
Control panel with symbols	•
Stop programming/Timer function	•
Sabbath programme	•
Cleaning convenience	
Flush control panel	•
Appliance networking	
MobileControl	•
Safety	
Cool front	•
Anti-slip mat	•
Safety switch-off	•
Technical data	
Appliance width in mm	595
Appliance height in mm	289
Appliance depth in mm	570
Useable interior height in mm	230
Total rated load in kW	0,7
Voltage in V	230
Frequency in Hz	50-60
Fuse rating in A	16
Number of phases	1
Mains cable with plug	•
Length of supply lead in m	2,0
Standard accessories	
Anti-slip mat	1
Rack for increased capacity	1

ESW 7020

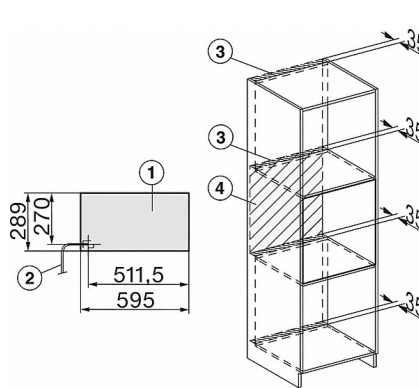
29 cm high handleless Gourmet warming drawer for preheating crockery, keeping food warm and low temperature cooking.



ESW7x20, installation drawings

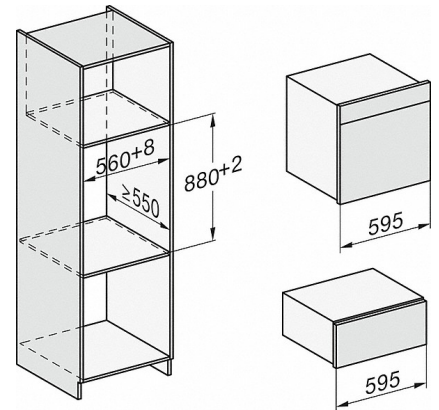


ESW7x20, DG7xxx, DGM7xxx installation drawings

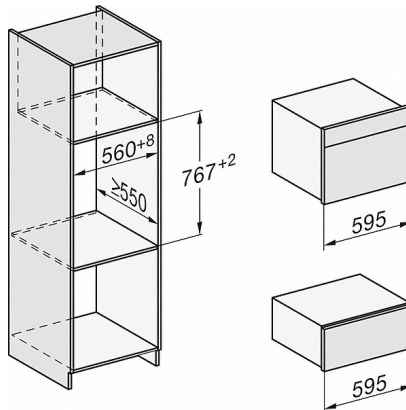


ESW7x20, DGM7x4x installation drawings

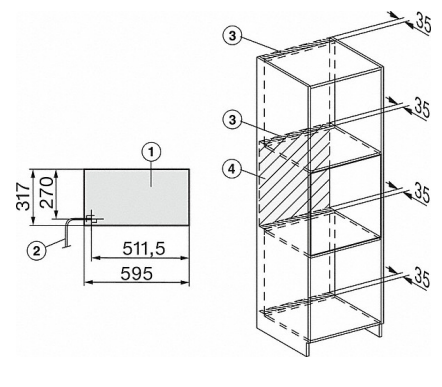
- 1) Front view
- 2) Mains connection cable, L=2.000 mm
- 3) Ventilation cut min. 180 cm²
- 4) No connection in this area



ESW7x20, installation drawings



ESW7030, installation drawings

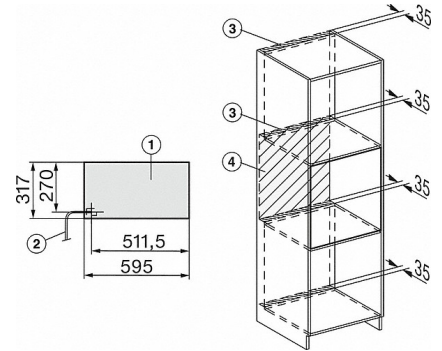
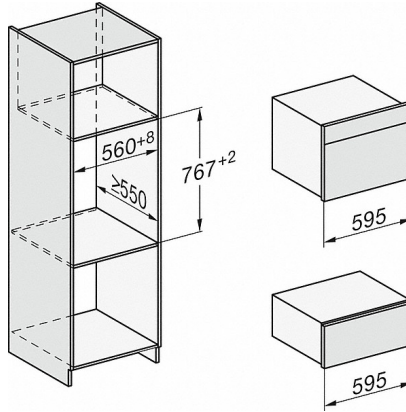
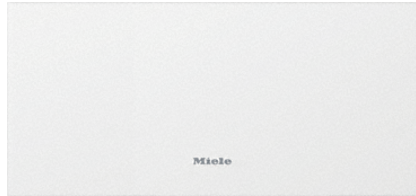


ESW7030 installation drawings

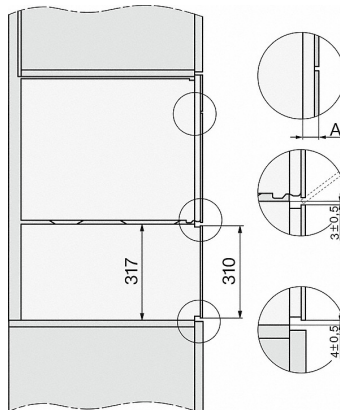
- 1) Front view
- 2) Mains connection cable, L=2.000 mm

ESW 7020

29 cm high handleless Gourmet warming drawer for preheating crockery, keeping food warm and low temperature cooking.



3) Ventilation cut min. 180 cm²
4) No connection in this area



ESW7030, installation drawings

A) 22 mm glass, 23,3 mm stainless steel