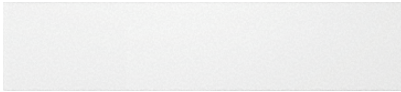


ESW 7010

14 cm high gourmet warming drawer without handle  
for preheating crockery, keeping food warm and low temperature cooking.



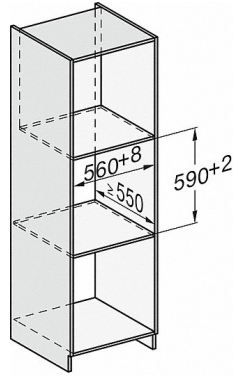
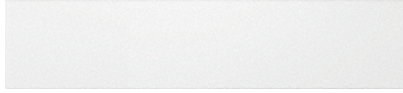
- The ultimate in enjoyment – low temperature cooking
- Always at the right temperature – four operating modes
- Convenient and easy – Touch control
- Push2open – opening the drawer couldn't be easier
- Better safe than sorry – timer with automatic switch-off

EAN: 4002516128168 / article number: 30701010D / material number: 11103090

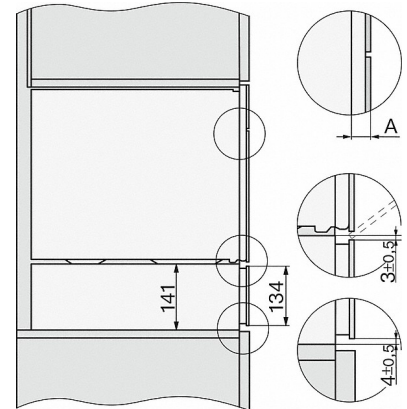
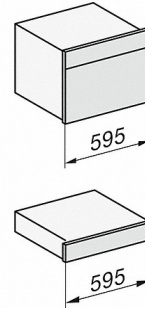
<b>Model and design</b>	
Gourmet warming drawer	•
VitroLine	•
ArtLine	•
Handleless	•
Colour	Brilliant white
<b>Convenience features</b>	
Pre-heating crockery	•
Keeping food warm	•
Perfect cooking results at low temperature	•
<b>Operating modes</b>	
Cup warming	•
Plate warming	•
Keeping food warm	•
Low temperature cooking	•
<b>User convenience</b>	
Capacity	6 place settings
Push2open mechanism	•
Fully telescopic runners for easy loading and unloading	•
Control panel with sensor controls	•
Control panel with symbols	•
Stop programming/Timer function	•
Sabbath programme	•
<b>Cleaning convenience</b>	
Flush control panel	•
<b>Appliance networking</b>	
MobileControl	•
<b>Safety</b>	
Cool front	•
Anti-slip mat	•
Safety switch-off	•
<b>Technical data</b>	
Appliance width in mm	595
Appliance height in mm	141
Appliance depth in mm	570
Useable interior height in mm	80
Total rated load in kW	0,7
Voltage in V	230
Frequency in Hz	50-60
Fuse rating in A	16
Number of phases	1
Mains cable with plug	•
Length of supply lead in m	2,0
<b>Standard accessories</b>	
Anti-slip mat	1

## ESW 7010

14 cm high gourmet warming drawer without handle  
for preheating crockery, keeping food warm and low temperature cooking.

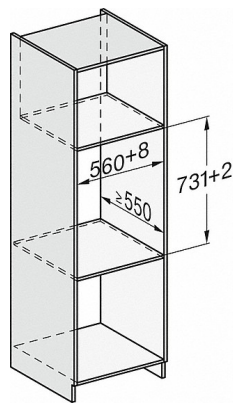


ESW7x10, installation drawings

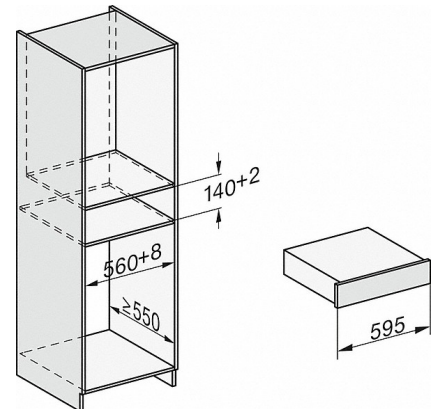
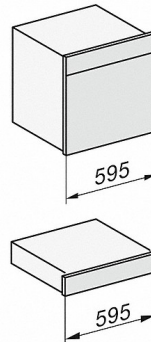


ESW7x10, EVS7010, DG7x4x, DGM7x4x installation drawings

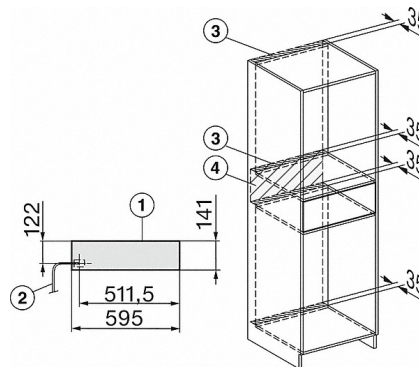
A) 22 mm glass, 23,3 mm stainless steel



ESW7x10, EVS 7010 installation drawings



ESW7x10, installation drawings



ESW7x10, installation drawings

- 1) Front view
- 2) Mains connection cable, L=2.000 mm
- 3) Ventilation cut min. 180 cm<sup>2</sup>
- 4) No connection in this area