

DA 4208 V D Puristic Varia

Island cooker hood

with energy-efficient LED lighting and light-touch switches for easy use.



- Timeless design - 898mm wide stainless steel cooker hood
- Unique user convenience – Con@ctivity
- Always at the right height - motorised height adjustment
- Powerful - 675m³/h on the booster setting
- Pleasantly quiet – Miele Silence package

EAN: 4002515947104 / article number: 28420855D / material number: 10767330

Construction type	
Island cooker hood	•
Design	
Colour	Stainless steel
Customisation possible on request	•
Variable height available as customisation on request	•
Variable width available as customisation on request	•
Operating modes	
Type of air guide	Convertible
Active charcoal filter (order separately)	DKF12-1
User convenience	
Electronic controls	•
Light-touch controls	•
Miele@mobile app	•
Power levels (number without Booster level)	3
Booster level	•
Programmable Booster level switch-off	•
Run-on time 5 / 15 min.	•
Grease filter saturation indicator programmable	•
Active charcoal filter saturation indicator programmable	•
Silence package	•
Hood in Motion	•
Cleaning convenience	
CleanCover	•
Efficiency and sustainability	
Annual energy consumption in kWh/year	30,8
PowerManagement system	•
ECO package	•
Appliance networking	
Miele@home	•
WiFiConn@ct	•
MobileControl	•
ShopConn@ct	•
Automatic function Con@ctivity 3.0 (WiFi)	•
Filter system	
Number of dishwasher-safe stainless steel grease filters	3
Lighting	
LED	•
Number x W	4 x 3 W
Light intensity in Lx	820
Colour temperature in K	3.500
Dimmer function	•
Fan	
Dual-action fan	•
ECO motor (DC motor)	•

DA 4208 V D Puristic Varia

Island cooker hood

with energy-efficient LED lighting and light-touch switches for easy use.

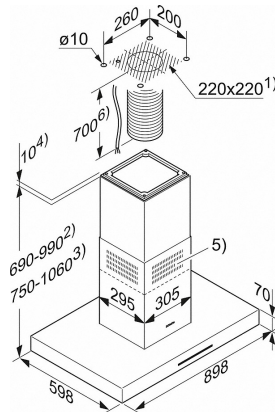


Air throughput with max. duct diameter in extraction mode (not for external version)	
Air throughput in Level 1 (m ³ /h)	180
Air throughput in Level 2 (m ³ /h)	290
Air throughput in Level 3 (m ³ /h)	420
Air throughput in Booster level (m ³ /h)	675
Sound power in Level 1 (dB(A) re 1 pW)	39
Sound power in Level 2 (dB(A) re 1 pW)	49
Sound power in Level 3 (dB(A) re 1 pW)	58
Sound power in Booster level (dB(A) re 1 pW)	70
Sound pressure in Level 1 (dB(A) re 20 µPa)	24
Sound pressure in Level 2 (dB(A) re 20 µPa)	34
Sound pressure in Level 3 (dB(A) re 20 µPa)	43
Sound pressure in Booster level (dB(A) re 20 µPa)	55
Air throughput in recirculation mode	
Air throughput in Level 1 (m ³ /h)	100
Air throughput in Level 2 (m ³ /h)	180
Air throughput in Level 3 (m ³ /h)	290
Air throughput in Booster level (m ³ /h)	400
Sound power in Level 1 (dB(A) re 1 pW)	45
Sound power in Level 2 (dB(A) re 1 pW)	55
Sound power in Level 3 (dB(A) re 1 pW)	64
Sound power in Booster level (dB(A) re 1 pW)	73
Sound pressure in Level 1 (dB(A) re 20 µPa)	30
Sound pressure in Level 2 (dB(A) re 20 µPa)	40
Sound pressure in Level 3 (dB(A) re 20 µPa)	49
Sound power in Booster level (dB(A) re 1 pW)	58
Safety	
Safety switch-off	•
Technical data	
Overall height for extraction mode and external mode cooker hoods in mm	755
Overall height for recirculation mode cooker hoods in mm	755
Canopy width in mm	898
Canopy height in mm	70
Canopy depth in mm	598
Minimum height above electric hobs in mm	450
Minimum height above gas hobs (max. 12.6 kW total power, burner ≤ 4.5 kW) in mm	650
Net weight in kg	37,0
Hard-wired connection	•
Total rated load in kW	0,29
Voltage in V	230
Fuse rating in A	10
Frequency in Hz	50
Number of phases	1
Installation notes	
Extraction ducting connection at top	•
Diameter of extraction ducting connection in mm	150
Telescopic chimney	•
Standard accessories	
Non-return flap	•

DA 4208 V D Puristic Varia

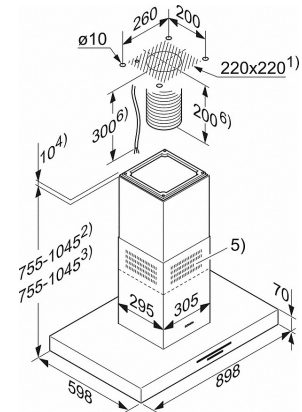
Island cooker hood

with energy-efficient LED lighting and light-touch switches for easy use.



DA 410-6, DA 4208, DA 6396 D, DA 6596 D (Installation drawing)

- 1) Installation area/site
- 2) Vented
- 3) Recirculation
- 4) Installation alternatively with spacer frame
- 5) Ventilation grille positioned at the top for recirculation
- 6) A supply lead, and for vented mode flexible vent ducting, must be pre-fitted for the connection in the ceiling to the connection of the cooker hood.



DA 420 V-6 (Installation drawing)

- 1) Installation area/site
- 2) Vented
- 3) Recirculation
- 4) Installation alternatively with spacer frame
- 5) Ventilation grille positioned at the top for recirculation
- 6) A supply lead, and for vented mode flexible vent ducting, must be pre-fitted for the connection in the ceiling to the connection of the cooker hood.