

CS 7632 FL

SmartLine element
with induction Tepan Yaki



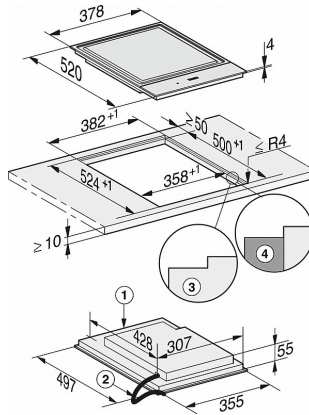
- Intuitive quick selection via number sequences – Smart Select
- Elegant design – for flush or raised installation
- Seamlessly integrates with any SmartLine element
- Particularly versatile – 2 separately controlled teppan areas
- Short heating-up times – thanks to induction cooking

EAN: 4002515836101 / article number: 27763250D / material number: 10681670

Construction type	
SmartLine	•
Design	
Flush-fit installation	•
Surface-mounted installation	•
User convenience	
Operation via sensor controls	Smart Select
Stop & Go function	•
Recall function	•
Minute minder	•
Keeping warm	•
Individual setting options (e.g. buzzers)	•
Cleaning convenience	
Easy to clean ceramic glass	•
Wipe protection	•
Safety	
Residual heat indicator	•
Technical data	
Dimensions in mm (width)	378
Dimensions in mm (height)	60
Dimensions in mm (depth)	520
Casing height incl. connection box in mm	60
Internal cutout dimensions in mm (width) with flush installation	358
Internal cutout dimensions in mm (depth) with flush installation	500
External cutout dimensions in mm (width) with flush installation	382
External cutout dimensions in mm (depth) with flush installation	524
Weight in kg	8
Total rated load in kW	2,600
Voltage in V	220-240
Connection cable length in m	1,5
Standard accessories	
Mains cable	•

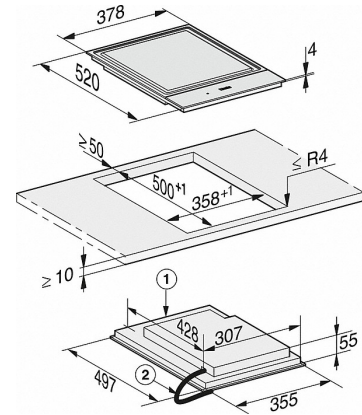
CS 7632 FL

SmartLine element
with induction Tepan Yaki



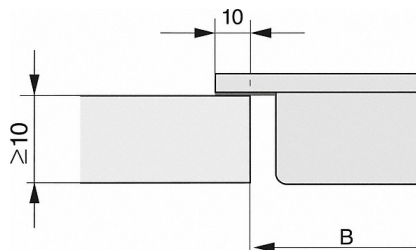
CS 7622 FL, flush (installation drawing)

- 1) Front
- 2) Mains connection box with mains connection cable, L = 2000 mm
- 3) Stepped cut-out
- 4) Wooden frame 12 mm (supplied loose)

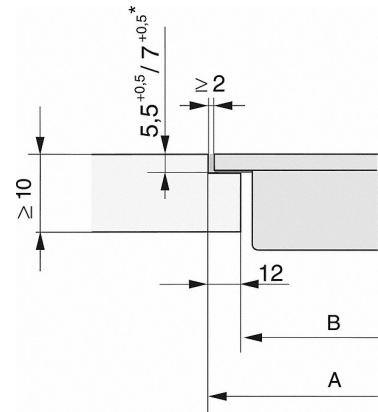


CS 7632 FR, flush (installation drawing)

- 1) Front
- 2) Mains connection box with mains connection cable, L = 2000 mm

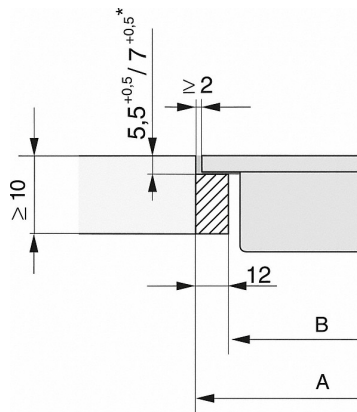


CS 7000 FL (Installation drawing)



CS 7000 FL, flush (Installation drawing)

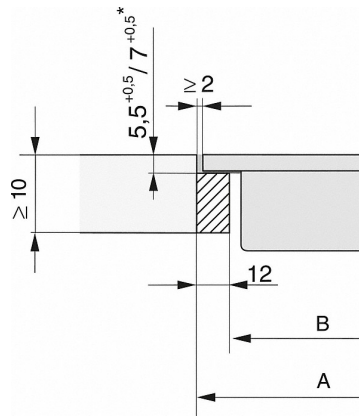
*7+0,5 = CS7611 (Wok)



CS 7000 FL, flush (Installation drawing)

CS 7632 FL

SmartLine element
with induction Tepan Yaki



*7+0,5 = CS7611 (Wok)