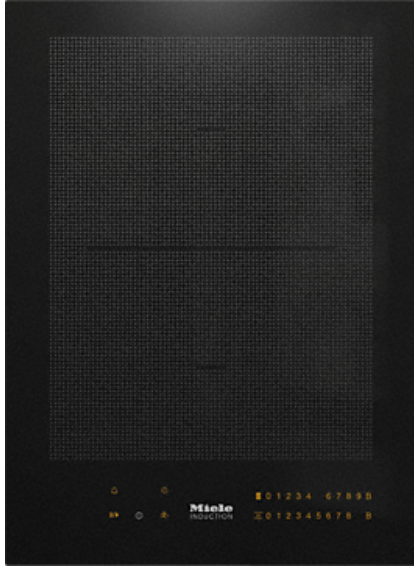


CS 7612 FL

SmartLine element  
with induction PowerFlex cooking zone



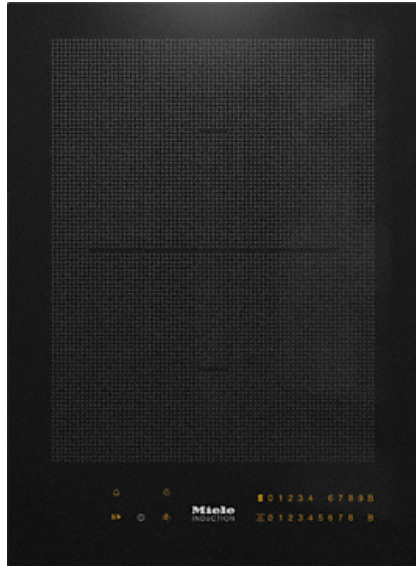
- Intuitive quick selection via number sequences – Smart Select
- Elegant design – for flush or raised installation
- Seamlessly integrates with any SmartLine element
- Versatile and fast - 2 cooking zones incl. 1 PowerFlex area
- Shortest heating-up times - TwinBooster

EAN: 4002515836088 / article number: 27761250D / material number: 10681590

<b>Heating type</b>	
Heating type	Induction
<b>Construction type</b>	
SmartLine	•
<b>Design</b>	
Ceramic surface colour	Black
Flush-fit installation	•
Surface-mounted installation	•
<b>Cooking zone details</b>	
Number of cooking zones	2
<b>PowerFlex cooking zone</b>	
Max. Booster power rating in W	3.000
Max. TwinBooster power rating in W	3650
<b>Cooking zone</b>	
Position	Centred
Type	PowerFlex
Size in mm	230x390
Max. rating in W	2100
Max. Booster power rating in W	3000
Max. TwinBooster power rating in W	3650
<b>User convenience</b>	
Operation via sensor controls	Smart Select
Permanent pan recognition	•
Pan and pan size recognition	•
Stop & Go function	•
Recall function	•
Minute minder	•
Auto heat-up	•
Keeping warm	•
Individual setting options (e.g. buzzers)	•
<b>Cleaning convenience</b>	
Easy to clean ceramic glass	•
Wipe protection	•
<b>Safety</b>	
Safety switch-off	•
Lock function	•
System lock	•
Integrated cooling fan	•
Overheating protection	•
Residual heat indicator	•

CS 7612 FL

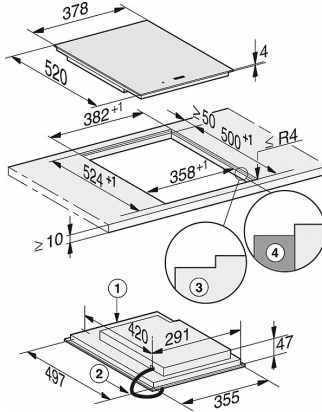
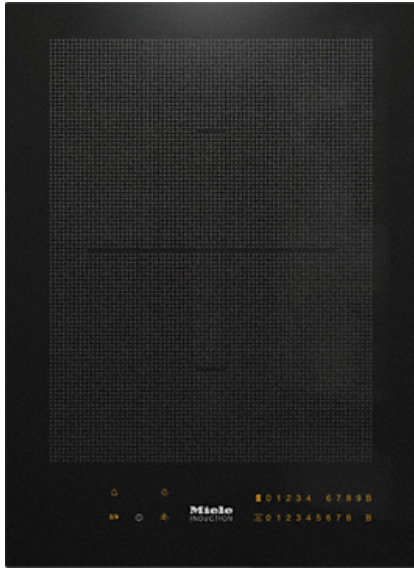
SmartLine element  
with induction PowerFlex cooking zone



Technical data	
Dimensions in mm (width)	378
Dimensions in mm (height)	51
Dimensions in mm (depth)	520
Casing height incl. connection box in mm	51
Cutout dimensions in mm (width) with surface-mounted installation	358
Cutout dimensions in mm (depth) with surface-mounted installation	500
Internal cutout dimensions in mm (width) with flush installation	358
Internal cutout dimensions in mm (depth) with flush installation	500
External cutout dimensions in mm (width) with flush installation	382
External cutout dimensions in mm (depth) with flush installation	524
Weight in kg	7
Total rated load in kW	3,600
Voltage in V	230
Connection cable length in m	1,5
Standard accessories	
Mains cable	•

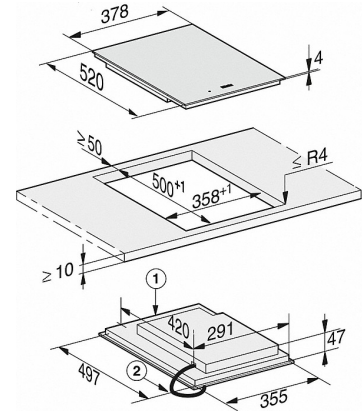
## CS 7612 FL

SmartLine element  
with induction PowerFlex cooking zone



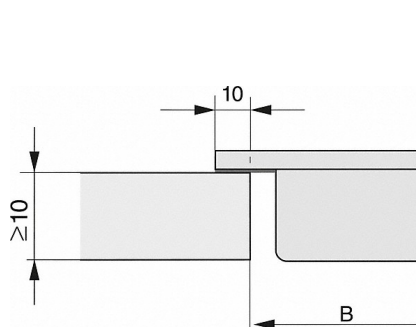
CS 7612 FL, flush (installation drawing)

- 1) Front
- 2) Mains connection cable, L = 2000 mm
- 3) Stepped cut-out
- 4) Wooden Frame 12 mm (supplied loose)

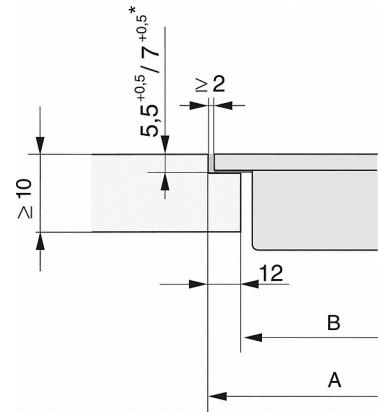


CS 7612 FR, (installation drawing)

- 1) Front
- 2) Mains connection cable, L = 2000 mm

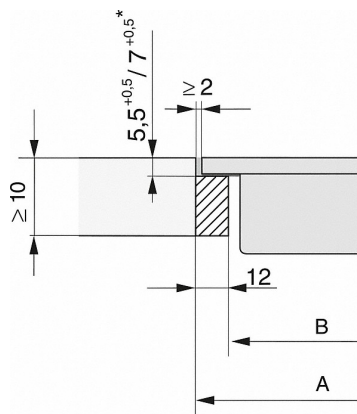


CS 7000 FL (Installation drawing)



CS 7000 FL, flush (Installation drawing)

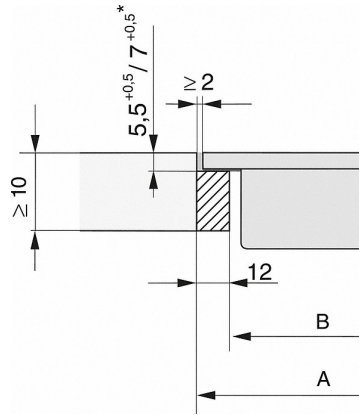
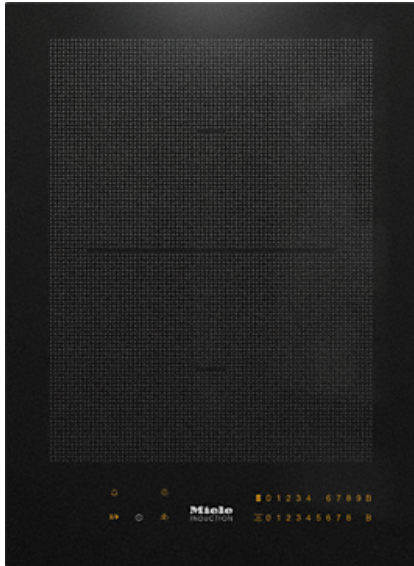
\*7+0,5 = CS7611 (Wok)



CS 7000 FL, flush (Installation drawing)

CS 7612 FL

SmartLine element  
with induction PowerFlex cooking zone



\*7+0,5 = CS7611 (Wok)