

CS 7102 FL

SmartLine element
with two burners



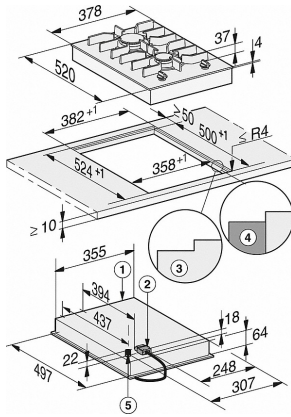
- Simple controls -single-handed operation via rotary dial control
- Elegant design – for flush or raised installation
- Seamlessly integrates with any SmartLine element
- Particularly versatile - 1 medium burner and 1 large burner
- Easy cleaning - dishwasher-safe ComfortClean pot rests

EAN: 4002515893135 / article number: 277102501 / material number: 10686460

| | |
|---|-------------------|
| Heating type | |
| Heating type | Gas |
| Construction type | |
| SmartLine | • |
| Design | |
| Ceramic surface colour | Black |
| Flush-fit installation | • |
| Surface-mounted installation | • |
| Cooking zone details | |
| Number of cooking zones | 2 |
| Cooking zone | |
| Position | front centre |
| Type | Standard burner |
| Size in mm | Ø 120-220 |
| Max. rating in W | 1700 |
| Position | rear centre |
| Type | High-speed burner |
| Size in mm | Ø 140-240 |
| Max. rating in W | 2700 |
| User convenience | |
| Operation via sensor controls | Knob |
| Operation via knobs | • |
| Electronic ignition with single-hand operation | • |
| Cleaning convenience | |
| Easy to clean ceramic glass | • |
| Dishwasher-proof pot rests | • |
| Safety | |
| GasStop | • |
| Technical data | |
| Dimensions in mm (width) | 378 |
| Dimensions in mm (height) | 92 |
| Dimensions in mm (depth) | 520 |
| Casing height incl. connection box in mm | 92 |
| Cutout dimensions in mm (width) with surface-mounted installation | 358 |
| Cutout dimensions in mm (depth) with surface-mounted installation | 500 |
| Internal cutout dimensions in mm (width) with flush installation | 358 |
| Internal cutout dimensions in mm (depth) with flush installation | 500 |
| External cutout dimensions in mm (width) with flush installation | 382 |
| External cutout dimensions in mm (depth) with flush installation | 524 |
| Weight in kg | 7 |
| Total rated load in kW | 4,400 |
| Voltage in V | 230 |
| Connection cable length in m | 2,0 |
| Standard accessories | |
| Mains cable | • |

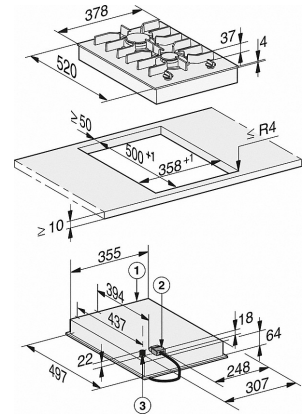
CS 7102 FL

SmartLine element
with two burners



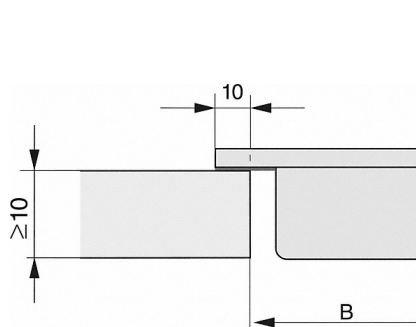
CS 7102 FL, flush (installation drawing)

- 1) Front
- 2) Mains connection box with mains connection cable, L = 2000 mm
- 3) Stepped cut-out
- 4) Wooden frame 12 mm (supplied loose)
- 5) Gas connection 1/2 - ISO 7-1 (DIN EN 10226)

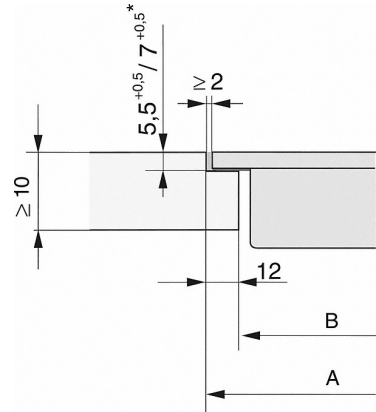


CS 7102 FR, (installation drawing)

- 1) Front
- 2) Mains connection box with mains connection cable, L = 2000 mm
- 3) Gas connection 1/2 - ISO 7-1 (DIN EN 10226)



CS 7000 FL (Installation drawing)

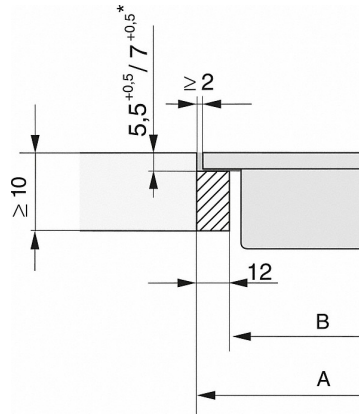


CS 7000 FL, flush (Installation drawing)

*7+0,5 = CS7611 (Wok)

CS 7102 FL

SmartLine element
with two burners



CS 7000 FL, flush (Installation drawing)

*7+0,5 = CS7611 (Wok)