

CS 1223-1 I

ProLine element
with induction-heated wok basin



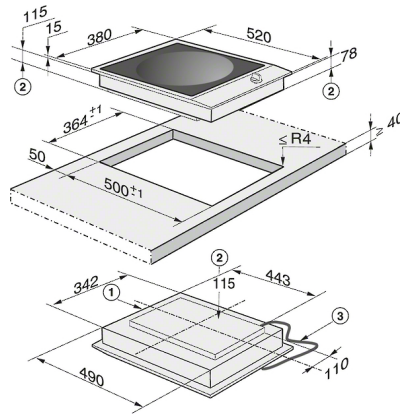
- Professional design - Ceramic glass with frame, 380 mm wide
- Special - inset wok recess
- Easy and direct controls -operation via metal rotary dial control
- Powerful - booster function
- Very convenient, safe - operating and residual heat indicator

EAN: 4002515182833 / article number: 27122352D / material number: 09383970

Heating type	
Heating type	Induction
Construction type	
ProLine	•
Design	
Stainless-steel frame	•
Miele logo embossed in stainless steel	•
Concave glass wok recess	•
Cooking zone details	
Number of cooking zones	1
Cooking zone	
Position	Centred
Type	Wok burner
Size in mm	Ø 300
Max. rating in W	2400
Max. Booster power rating in W	3200
Wok recess	Wok recess
User convenience	
Operation via knobs	•
Auto heat-up	•
Cleaning convenience	
Easy to clean ceramic glass	•
Safety	
Safety switch-off	•
System lock	•
Integrated cooling fan	•
Overheating protection	•
Residual heat indicator	•
Technical data	
Dimensions in mm (width)	380
Dimensions in mm (height)	145
Dimensions in mm (depth)	520
Casing height incl. connection box in mm	115
Cutout dimensions in mm (width) with surface-mounted installation	364
Cutout dimensions in mm (depth) with surface-mounted installation	500
Weight in kg	8
Total rated load in kW	3,200
Voltage in V	230-240
Connection cable length in m	2,0
Standard accessories	
Mains cable	•
Uncoated wok pan	•

CS 1223-1 I

ProLine element
with induction-heated wok basin



CS 1223 I, CS 1223-1 (installation drawing)

Installation note: This unit should only be installed above a built-in oven if the latter has an integrated cooling fan.

Heart pacemaker: When the unit is in operation, the area immediately surrounding the unit is electromagnetically charged. Under certain conditions, this could affect the proper functioning of pacemaker.

If in any doubt, please consult the manufacturer of the pacemaker or your health care professional.

- 1) Front
- 2) Height for building in
- 3) Mains connection cable, 2000 mm long