

CS 1212-1 I

ProLine element
with two induction-heated cooking zones



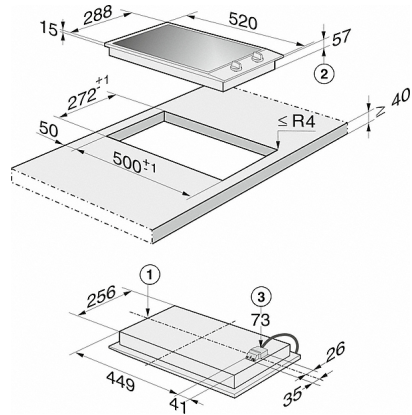
- Professional design - Ceramic glass with frame, 288 mm wide
- Particularly versatile - two cooking zones
- Easy and direct controls -operation via metal rotary dial control
- Broad performance spectrum - keeping warm function and TwinBooster
- Very convenient, safe - operating and residual heat indicator

EAN: 4002515019351 / article number: 27121252D / material number: 09047620

Heating type	
Heating type	Induction
Construction type	
ProLine	•
Design	
Print design	LightPrint
Stainless-steel frame	•
Miele logo embossed in stainless steel	•
Cooking zone details	
Number of cooking zones	2
Cooking zone	
Position	front centre
Type	Dual-circuit ring
Size in mm	Ø 100-160
Max. rating in W	1400
Max. Booster power rating in W	2200
Position	rear centre
Type	Dual-circuit ring
Size in mm	Ø 160-230
Max. rating in W	2300
Max. Booster power rating in W	3000
Max. TwinBooster power rating in W	3700
User convenience	
Operation via knobs	•
Pan and pan size recognition	•
Auto heat-up	•
Efficiency and sustainability	
Residual heat utilisation	•
Cleaning convenience	
Easy to clean ceramic glass	•
Safety	
Safety switch-off	•
System lock	•
Integrated cooling fan	•
Overheating protection	•
Residual heat indicator	•
Technical data	
Dimensions in mm (width)	288
Dimensions in mm (height)	73
Dimensions in mm (depth)	520
Casing height incl. connection box in mm	73
Cutout dimensions in mm (width) with surface-mounted installation	272
Cutout dimensions in mm (depth) with surface-mounted installation	500
Weight in kg	8
Total rated load in kW	3,700
Voltage in V	230
Connection cable length in m	2,0
Standard accessories	
Mains cable	•

CS 1212-1 I

ProLine element
with two induction-heated cooking zones



CS 1212-1 I (Installation drawing)

Installation note: This unit should only be installed above a built-in oven if the latter has an integrated cooling fan.

Heart pacemaker: When the unit is in operation, the area immediately surrounding the unit is electromagnetically charged.

Under certain conditions, this could affect the proper functioning of pacemaker: If in any doubt, please consult the manufacturer of the pacemaker or your health care professional.

- 1) Front
- 2) Height for building in
- 3) Mains connection box with cable, 2000 mm long