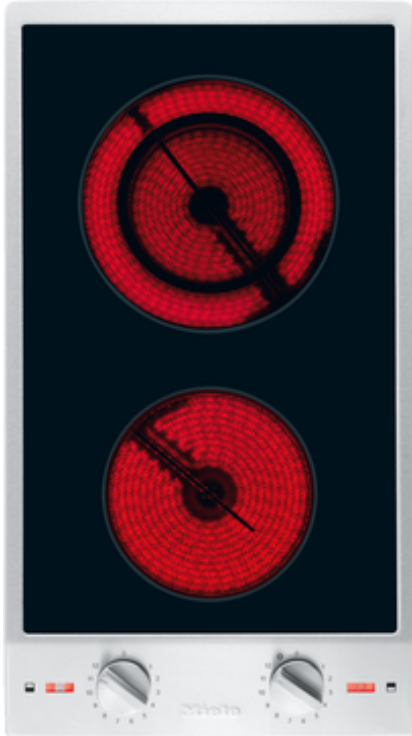


CS 1112 E

ProLine element  
with two electrically heated cooking zones



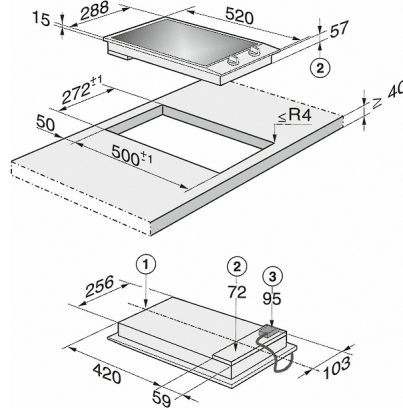
- Professional design - Ceramic glass with frame, 288 mm wide
- Very convenient, safe - operating and residual heat indicator
- Easy and direct controls -operation via metal rotary dial control
- Particularly versatile - 2 cooking zones incl. 1 Vario zone

EAN: 4002514369655 / article number: 27111250D / material number: 07104550

<b>Heating type</b>	
Heating type	Electrical
<b>Construction type</b>	
ProLine	•
<b>Design</b>	
Print design	LightPrint
Stainless-steel frame	•
Miele logo embossed in stainless steel	•
<b>Cooking zone details</b>	
Number of cooking zones	2
<b>Cooking zone</b>	
Position	front centre
Type	Single-circuit ring
Size in mm	Ø 145
Max. rating in W	1200
Position	rear centre
Type	Dual-circuit ring
Size in mm	Ø 100-180
Max. rating in W	700/1800
<b>User convenience</b>	
Operation via knobs	•
Extended cooking zone	•
<b>Cleaning convenience</b>	
Easy to clean ceramic glass	•
<b>Safety</b>	
Safety switch-off	•
Overheating protection	•
Residual heat indicator	•
<b>Technical data</b>	
Dimensions in mm (width)	288
Dimensions in mm (height)	73
Dimensions in mm (depth)	520
Casing height incl. connection box in mm	95
Cutout dimensions in mm (width) with surface-mounted installation	272
Cutout dimensions in mm (depth) with surface-mounted installation	500
Weight in kg	7
Total rated load in kW	3,000
Voltage in V	230-240
Connection cable length in m	2,0
<b>Standard accessories</b>	
Razor-blade scraper	•
Mains cable	•

CS 1112 E

ProLine element  
with two electrically heated cooking zones



CS1112E/CS1212I (Installation drawing)

Installation note: This unit should only be installed above a built-in oven if the latter has an integrated cooling fan.

Heart pacemaker: When the unit is in operation, the area immediately surrounding the unit is electromagnetically charged.

Under certain conditions, this could affect the proper functioning of pacemaker: If in any doubt, please consult the manufacturer of the pacemaker or your health care professional.

- 1) Front
- 2) Height for building in
- 3) Mains connection box with cable, 2000 mm long